

ZheJiang Hico Industrial Equipment Co.,Ltd



Address:
No2469. Binhai Sixth Road,
Economic-Technological Development Area,
Wenzhou,China

Post Code:325000

Tel:+86-0577-88056888
Max:+86-0577-88056999

XK GK Products Services
please visit and contact us:
www.zjxkgk.cc

Technical Support
Tel:+86-13656518258
Email:jay@zjxkgk.cc

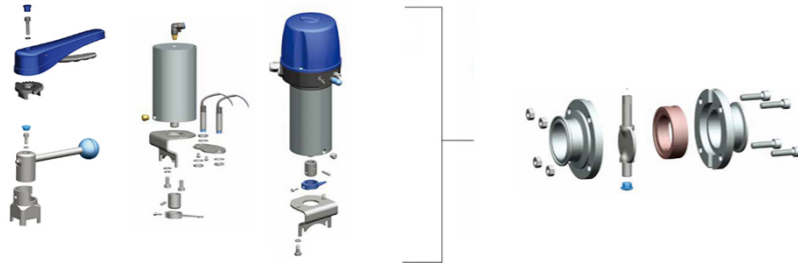
Service,Sales
Tel:+86-18858717208
Email:echo@zjxkgk.cc

Dealer Management
Tel:+86-13868510768
Email:lana@zjxkgk.cc

Copyright@2017 XK GK

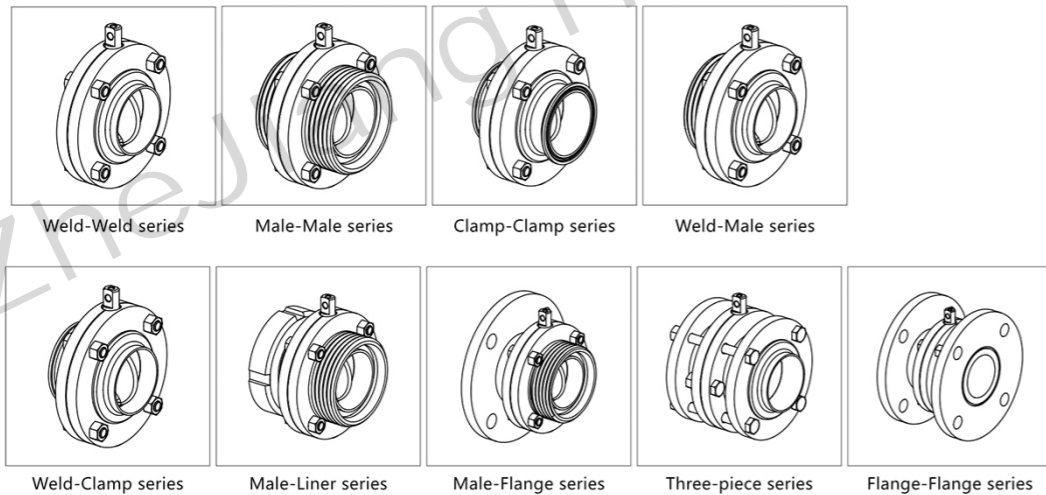
Professional sanitary valves&fittings supplier,supply and marketing worldwide.



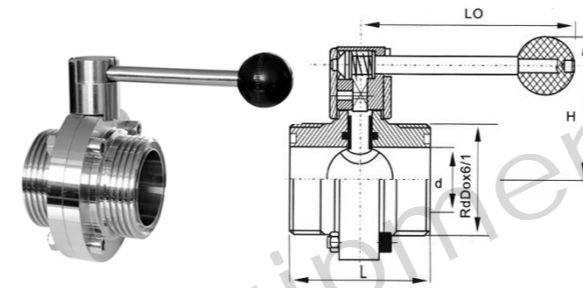


| Technical Data | | | |
|-------------------|---|---|---|
| Material | Contact with the product components | 304L / 316L (1.4306 / 1.4404) FoTing | Can provide material inspection report |
| | Material No contact with the product components | 304 / 202 (1.4301 / 202) | |
| Sealing material | Standard | VMQ | Adopt import sealing materials, with all the seal material The FDA 117.2600 |
| | Option | EPDM / (FPM) | |
| Pressure | Pressure of work | 0-10bar | |
| | Control air pressure | 5-8bar | |
| Temperature | Working temperature | VMQ:(-50 ~ +180°C) EPDM :(-20 ~ +135°C) FPM:(-30 ~ +230°C) | |
| | Sterilization temperature | 150°C (MAX 20min) | |
| | Inside surface treatment | Ra ≥ 0.4-0.8 μm | |
| Surface treatment | Surface treatment | Ra ≥ 0.8-1.6 μm | |
| | The diameter welding | Welding mouth: DIN 11850-2 with 11850-1 / SMS / 3A / ISO Series etc | |
| Connection | Connection mode: welding, fast loading, male and female, flange, etc | | |
| | Brainpower | | |
| Optional driven | Pneumatic control | Pneumatic head and fixed bracket | |
| | Butterfly valve volume flow: flow through the butterfly valve per unit time of a cross-sectional area of the fluid volume | | Volume flow: cubic meters / hour (m ³ / h) Please contact the sales staff for detailed technical data |

Body Type

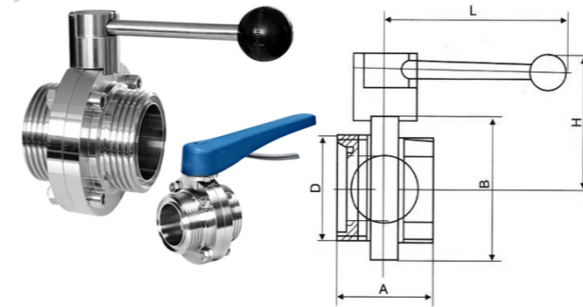


+ SMS THREAD BUTTERFLY VALVE



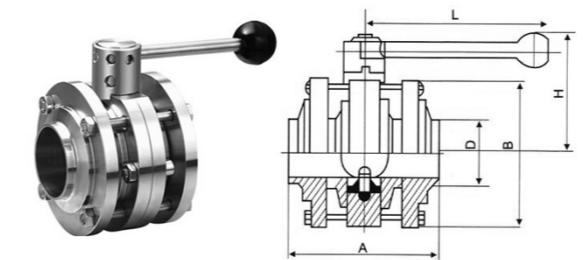
| SMS | L | Lo | H | RdDo | D |
|-------|-----|-----|-----|---------|------|
| 1" | 76 | 115 | 74 | 40x1/6 | 22.4 |
| 1.25" | 76 | 115 | 74 | 48x1/6 | 28.8 |
| 1.5" | 76 | 125 | 78 | 60x1/6 | 35.1 |
| 2" | 76 | 125 | 82 | 70x1/6 | 47.8 |
| 2.5" | 82 | 145 | 93 | 85x1/6 | 59.5 |
| 3" | 88 | 160 | 98 | 98x1/6 | 72.2 |
| 3.5" | 92 | 180 | 105 | 110x1/6 | 84.9 |
| 4" | 100 | 210 | 122 | 124x1/6 | 97.6 |

+ DIN THREAD BUTTERFLY VALVE



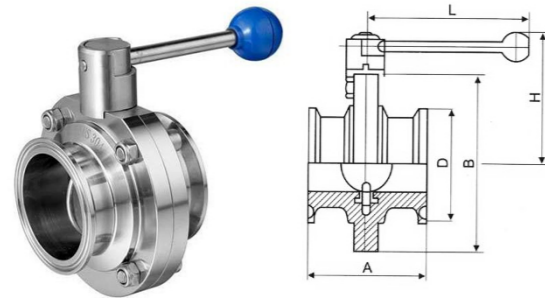
| DIN | A | B | D | L | H |
|-----|-----|-----|---------|-----|-----|
| 20 | 66 | 78 | 44x1/6 | 130 | 82 |
| 25 | 66 | 78 | 52x1/6 | 130 | 82 |
| 32 | 70 | 86 | 58x1/6 | 130 | 86 |
| 40 | 74 | 90 | 65x1/6 | 130 | 90 |
| 50 | 76 | 106 | 78x1/6 | 140 | 98 |
| 65 | 84 | 124 | 95x1/6 | 150 | 108 |
| 80 | 90 | 138 | 110x1/4 | 170 | 116 |
| 100 | 108 | 159 | 130x1/4 | 170 | 126 |
| 125 | 130 | 190 | 160x1/4 | 190 | 141 |
| 150 | 150 | 220 | 190x1/4 | 190 | 156 |

+ FLANGE(WAFER) BUTTERFLY VALVE



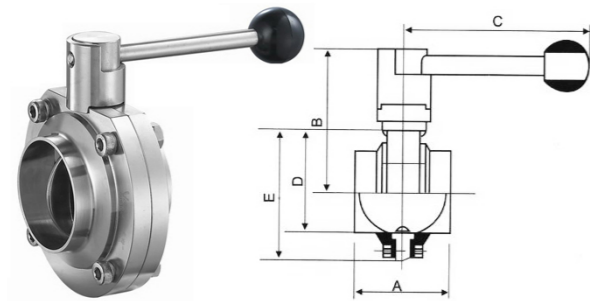
| ISO | A | B | D | L | H |
|-----|-----|-----|-------|-----|-----|
| 20 | 100 | 78 | 19.05 | 130 | 82 |
| 25 | 100 | 78 | 25.4 | 130 | 82 |
| 32 | 100 | 78 | 31.8 | 130 | 82 |
| 38 | 100 | 86 | 38.1 | 130 | 86 |
| 51 | 104 | 102 | 50.8 | 140 | 96 |
| 63 | 112 | 115 | 63.5 | 150 | 103 |
| 76 | 112 | 128 | 76.1 | 150 | 110 |
| 89 | 120 | 139 | 88.9 | 170 | 115 |
| 102 | 128 | 154 | 101.6 | 170 | 122 |
| 108 | 128 | 159 | 108 | 170 | 126 |
| 133 | 160 | 185 | 133 | 190 | 138 |
| 159 | 180 | 215 | 159 | 190 | 153 |

+ QUICK SET BUTTERFLY VALVE



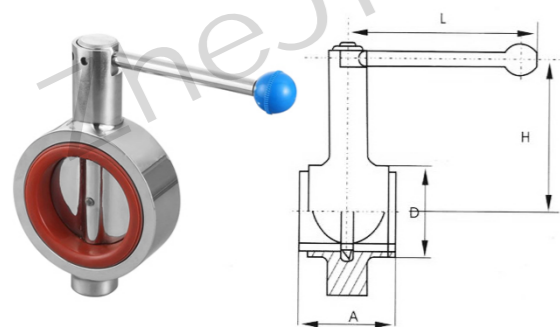
| ISO | A | B | D | L | H |
|-----|-----|-----|------|-----|-----|
| 20 | 66 | 78 | 50.5 | 130 | 82 |
| 25 | 66 | 78 | 50.5 | 130 | 82 |
| 32 | 66 | 78 | 50.5 | 130 | 82 |
| 38 | 70 | 86 | 50.5 | 130 | 86 |
| 51 | 76 | 102 | 64 | 140 | 96 |
| 63 | 98 | 115 | 77.5 | 150 | 103 |
| 76 | 98 | 128 | 91 | 150 | 110 |
| 89 | 102 | 139 | 106 | 170 | 116 |
| 102 | 106 | 154 | 119 | 170 | 122 |
| 108 | 106 | 159 | 119 | 170 | 126 |
| 133 | 140 | 185 | 145 | 190 | 138 |
| 159 | 260 | 215 | 172 | 190 | 153 |

+ WELDED BUTTERFLY VALVE



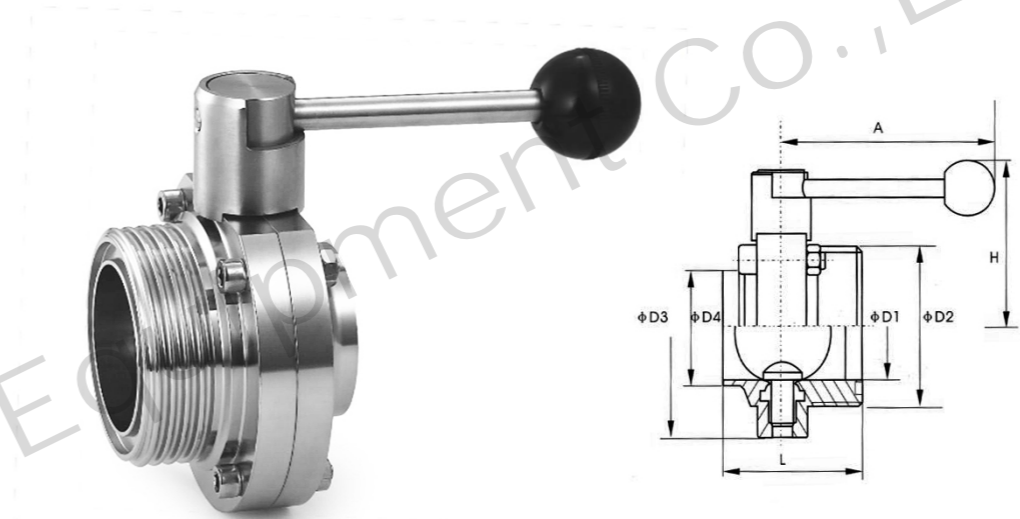
| ISO | A | B | D | L | H |
|-----|----|-----|-------|-----|-----|
| 20 | 50 | 78 | 19.05 | 130 | 82 |
| 25 | 50 | 78 | 25.4 | 130 | 82 |
| 32 | 50 | 78 | 31.8 | 130 | 82 |
| 38 | 50 | 86 | 38.1 | 130 | 86 |
| 51 | 52 | 102 | 50.8 | 140 | 96 |
| 63 | 56 | 115 | 63.5 | 150 | 103 |
| 76 | 56 | 128 | 76.1 | 150 | 110 |
| 89 | 60 | 139 | 88.9 | 170 | 116 |
| 102 | 64 | 154 | 101.6 | 170 | 122 |
| 108 | 64 | 159 | 108 | 170 | 126 |
| 133 | 80 | 185 | 133 | 190 | 138 |
| 159 | 90 | 215 | 159 | 190 | 153 |

+ SANITARY WAFER TYPE BUTTERFLY VALVE



| DN | A | D | L | H |
|-----|----|-----|-----|-----|
| 40 | 38 | 85 | 130 | 122 |
| 50 | 39 | 95 | 130 | 127 |
| 65 | 42 | 107 | 140 | 133 |
| 80 | 43 | 125 | 150 | 142 |
| 100 | 46 | 156 | 160 | 158 |

+ SCREWED/WELDED BUTTERFLY VALVE



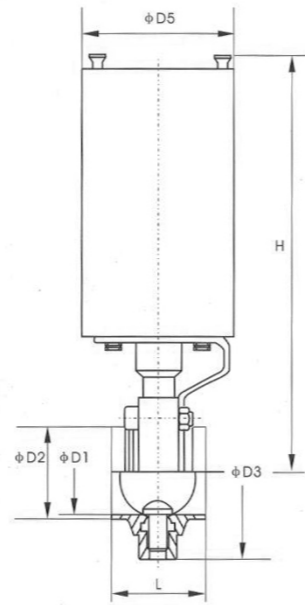
ISO standard sanitary hydro complementary butterfly valve

| Size | φD1 | φD2 | φD3 | φD4 | A | H | L |
|------|------|------------|-----|-----|-----|-----|----|
| 1" | 22.4 | Rd40x1/6" | 78 | 28 | 116 | 75 | 60 |
| 1.5" | 35.1 | Rd60x1/6" | 88 | 34 | 116 | 79 | 60 |
| 2" | 47.8 | Rd70x1/6" | 100 | 40 | 116 | 83 | 63 |
| 2.5" | 59.5 | Rd85x1/6" | 117 | 52 | 135 | 95 | 68 |
| 3" | 72.2 | Rd98x1/6" | 132 | 70 | 135 | 96 | 69 |
| 4" | 97.6 | Rd130x1/6" | 169 | 85 | 160 | 114 | 77 |

DIN standard sanitary hydro complementary butterfly valve

| Size | φD1 | φD2 | φD3 | φD4 | A | H | L |
|------|-----|------------|-----|-----|-----|-----|-----|
| 25 | 25 | Rd52x1/6" | 78 | 28 | 116 | 73 | 62 |
| 32 | 31 | Rd58x1/6" | 82 | 34 | 116 | 76 | 59 |
| 40 | 37 | Rd65x1/6" | 88 | 40 | 116 | 76 | 61 |
| 50 | 49 | Rd78x1/6" | 110 | 52 | 126 | 88 | 66 |
| 65 | 66 | Rd95x1/6" | 127 | 70 | 135 | 96 | 69 |
| 80 | 81 | Rd110x1/6" | 147 | 85 | 135 | 106 | 75 |
| 100 | 100 | Rd130x1/6" | 169 | 104 | 160 | 116 | 77 |
| 125 | 125 | Rd160x1/6" | 195 | 129 | 170 | 145 | 88 |
| 150 | 150 | Rd190x1/6" | 225 | 154 | 170 | 160 | 100 |

+ DRIVEN BUTTERFLY VALVE



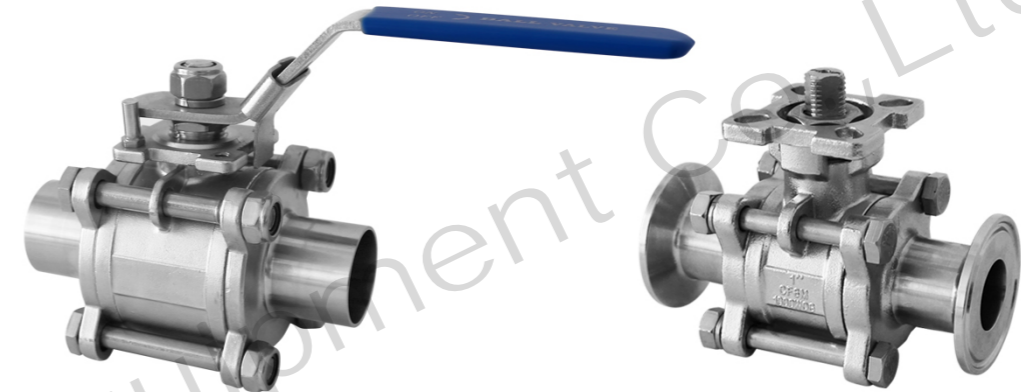
SMS standard sanitary hydro complementary butterfly valve

| Size | $\phi D1$ | $\phi D2$ | $\phi D3$ | $\phi D5$ | H | L |
|------|-----------|-----------|-----------|-----------|-----|----|
| 1" | 22.4 | 25.4 | 78 | 85 | 220 | 50 |
| 1.5" | 35.1 | 38.1 | 88 | 85 | 220 | 50 |
| 2" | 47.8 | 50.8 | 100 | 85 | 225 | 50 |
| 2.5" | 59.5 | 63.5 | 117 | 85 | 229 | 56 |
| 3" | 72.2 | 76.2 | 132 | 85 | 232 | 56 |
| 4" | 97.6 | 97.6 | 169 | 133 | 380 | 56 |

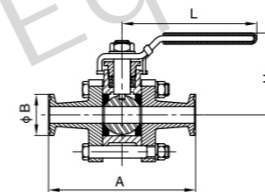
DIN standard sanitary hydro complementary butterfly valve

| Size | $\phi D1$ | $\phi D2$ | $\phi D3$ | $\phi D5$ | H | L |
|------|-----------|-----------|-----------|-----------|-----|----|
| 25 | 25 | 28 | 78 | 85 | 220 | 54 |
| 32 | 31 | 34 | 82 | 85 | 220 | 50 |
| 40 | 37 | 40 | 88 | 85 | 220 | 52 |
| 50 | 49 | 52 | 110 | 85 | 230 | 52 |
| 65 | 66 | 70 | 127 | 85 | 235 | 58 |
| 80 | 81 | 85 | 147 | 85 | 240 | 64 |
| 100 | 100 | 104 | 169 | 133 | 380 | 66 |
| 125 | 125 | 129 | 195 | 133 | 380 | 66 |
| 150 | 150 | 154 | 225 | 133 | 390 | 90 |

+ THREE-PIECE BALL VALVE

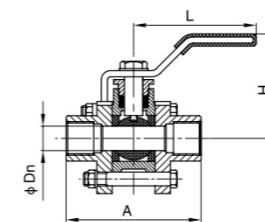


Three-piece clamped ball valve



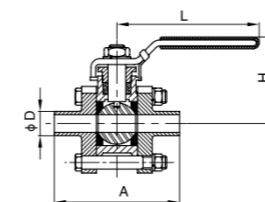
| Size | A | B | H | L |
|---------|-------|-------|-------|-------|
| 1/2 " | 75.0 | 25.0 | 64.0 | 125.0 |
| 3/4 " | 90.0 | 50.5 | 67.0 | 125.0 |
| 1 " | 100.0 | 50.5 | 83.0 | 140.0 |
| 1 1/4 " | 110.0 | 50.5 | 89.0 | 140.0 |
| 1 1/2 " | 125.0 | 50.5 | 100.0 | 200.0 |
| 2 " | 150.0 | 64.0 | 108.0 | 200.0 |
| 2 1/2 " | 190.0 | 77.5 | 150.0 | 250.0 |
| 3 " | 220.0 | 91.0 | 161.0 | 250.0 |
| 4 " | 270.0 | 119.0 | 180.0 | 290.0 |

Three-piece female threaded ball valve



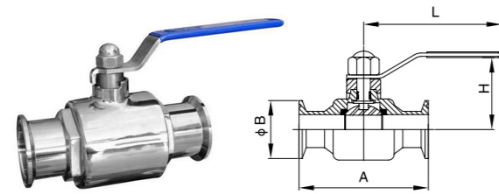
| Size | Dn | A | H | L |
|---------|-----|-------|-------|-------|
| 1/2 " | 15 | 130.0 | 130.0 | 72.0 |
| 3/4 " | 20 | 130.0 | 130.0 | 85.0 |
| 1 " | 25 | 165.0 | 165.0 | 90.0 |
| 1 1/4 " | 32 | 165.0 | 165.0 | 112.0 |
| 1 1/2 " | 38 | 190.0 | 190.0 | 120.0 |
| 2 " | 50 | 190.0 | 190.0 | 145.0 |
| 2 1/2 " | 65 | 250.0 | 250.0 | 185.0 |
| 3 " | 80 | 250.0 | 250.0 | 210.0 |
| 4 " | 100 | 280.0 | 280.0 | 268.0 |

Three-piece welded ball valve



| Size | A | D | H | L |
|---------|-------|-------|-------|-------|
| 1/2 " | 72.0 | 22.7 | 60.0 | 130.0 |
| 3/4 " | 85.0 | 27.5 | 64.0 | 130.0 |
| 1 " | 90.0 | 33.5 | 71.0 | 165.0 |
| 1 1/4 " | 112.0 | 42.0 | 78.0 | 165.0 |
| 1 1/2 " | 120.0 | 48.6 | 86.0 | 190.0 |
| 2 " | 145.0 | 60.5 | 95.0 | 190.0 |
| 2 1/2 " | 185.0 | 76.3 | 130.0 | 250.0 |
| 3 " | 215.0 | 90.0 | 148.0 | 250.0 |
| 4 " | 270.0 | 106.5 | 173.0 | 280.0 |

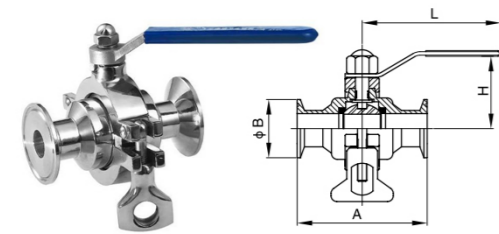
➤ TWO-PIECE CLAMPED BALL VALVE



SMS 3A ISO

| Size | Dimension(mm) | | | | |
|--------|---------------|-------|------|------|-------|
| | A | B | H | L | |
| 3/4" | 19 | 95.0 | 50.5 | 55.0 | 105.0 |
| 1" | 25 | 115.0 | 50.5 | 55.0 | 105.0 |
| 1 1/4" | 32 | 120.0 | 50.5 | 65.0 | 130.0 |
| 1 1/2" | 38 | 140.0 | 50.5 | 65.0 | 150.0 |
| 2" | 51 | 165.0 | 64.0 | 85.0 | 160.0 |

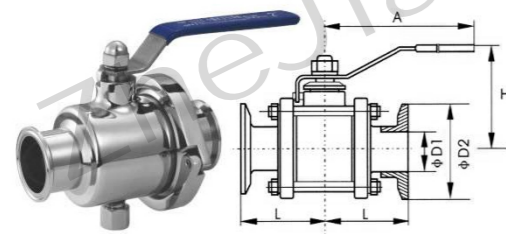
➤ CLAMPED NON-RETENTION BALL VALVE



SMS 3A ISO

| Size | Dimension(mm) | | | | |
|--------|---------------|-------|------|-------|-------|
| | A | B | H | L | |
| 3/4" | 19 | 90.0 | 25.4 | 65.0 | 105.0 |
| 1" | 25 | 110.0 | 50.5 | 70.0 | 105.0 |
| 1 1/4" | 32 | 120.0 | 50.5 | 80.0 | 130.0 |
| 1 1/2" | 38 | 140.0 | 50.5 | 80.0 | 150.0 |
| 2" | 51 | 164.0 | 64.0 | 85.0 | 160.0 |
| 2 1/4" | 57 | 170.0 | 77.5 | 110.0 | 180.0 |
| 2 1/2" | 63 | 180.0 | 77.5 | 110.0 | 180.0 |

➤ FAST-ASSEMBLY THREE-PART BALL VALVE



| Size | φD1 | φD2 | A | H | L |
|--------|------|------|-----|-----|------|
| 3/8" | 12.7 | 34 | 98 | 47 | 42.5 |
| 1/2" | 16 | 34 | 123 | 58 | 42.5 |
| 3/4" | 20 | 50.5 | 124 | 60 | 54 |
| 1" | 25 | 50.5 | 143 | 80 | 58.5 |
| 1 1/4" | 32 | 50.5 | 143 | 85 | 69 |
| 1 1/2" | 38 | 64 | 200 | 95 | 76 |
| 2" | 50.8 | 64 | 200 | 105 | 87.5 |

➤ SANITARY SAMPLING VALVE

Application

This type of valves is designed to be used for disinfection and sterilization before and after each sampling operation.

Material Science

Body:stainless steel AISI316L
 Valve head:stainless steel AISI304
 Diaphragm:silicone rubber(standard type of valve),EPDM rubber(with a micro interface valve with)

Technical Data

Pressure
 The maximum working pressure on the valve seat(off valve):1.0Mpa
 Maximum working pressure on the valve cover(open valve):stainless steel 1.0Mpa

Opening Valve:Sampling

By rotating the handle (adjustable valve)or switch control lever(open,Guan Famen),you can open the valve.When the shaft core and the diaphragm is open,so that the fluid can be through sampling.

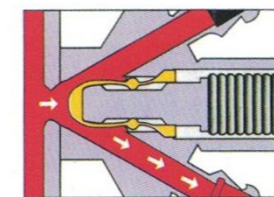
Valve Closure:Sterilization Sampling

Reverse operation handle,built-in spring to close the valve,while maintaining the channel between the two ends of the hose is communicated,in order to carry out sterilization and disinfection treatment.If required,the user is advised to install a small pressure control valve at the outlet end.

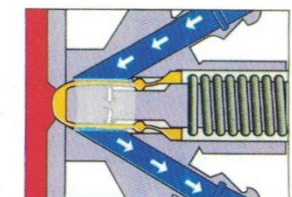


Standard Design:

The aseptic sampling valve comprises three parts:a valve body,a valve head and a piece of membrane.Like glial diaphragm valves are placed on the shaft core of the valve head,and are used as an extension of the spool.



opening valve, sampling operating structure



closing valve, sterilization operating structure

+ DOUBLE SEAT MIX-PROOF VALVE

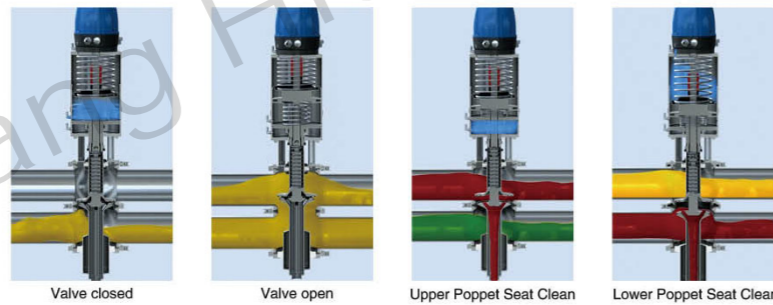


ApplicationS:

Double seat mix-proof valve application:used for protection mixing products in brewing,dairy and drink etc

Operating Principles:

Double seat mix-proof valve is controled through compressed air.The valve is a normally closed(NC) valve. The double seat valve has two divided seals of valve disc.it has a interlinked cavity of leak between two seal at working.while it happen leaking,the products will inpour the cavity and flow away from exit.it will not caused pollution and mixing.the leaking cavity closed while the valve working.it is impossible to overflow for the products.so the products can be transported from one pipe to another.also the valve can be washing CIP. XKGGK double seat valve with burkert company's 1066 intelligent control head.not only achieved remote control,and monitoring under working.can setting only transducer. XKGGK double seat valve can be controled with 1066 controller from Burkert company through setting adapter plate.



Valve closed

Valve open

Upper Poppet Seat Clean

Lower Poppet Seat Clean

+ SINGLE-SEAT VALVE



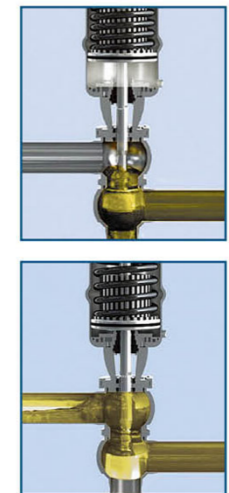
ApplicationS:

Single-seat valve with very flexible and meets the design of sanitary requirements,mainly used in the area which is no contamination or mixing of the pipeline system,it is a modern and widely-used valve,the main applied to wine,dairy,beverages.pharmaceutical and other industries.



Operating Principles:

Single-seat valve series is remotely operated through compressing air.By controlling the relative position of valve mandril to open or close (shut-off tupe), or to change the direction of media flow (change-over type). Single-seat valve series is equipped burkert company's 1066 intelligent controller not only can achieve in-time monitoring and timely feedback of signal the single-seat valve of the remote control,but also can achieve real-time of the valve working condition and signal the timely feedback.Also Only can be equipped with the position sensors. Single-seat valve series by installing the adapter board burkert company's 1066 controller.



Actuator function:

- downward movement by pneumatic actuator,spring reset
- up movement by pneumatic actuator,spring reset
- up or downward movement by pneumatic actuator

