



ZheJiang Hico Industrial Equipment Co.,Ltd

| www.zjxkgk.cc |

ZheJiang Hico Industrial Equipment Co.,Ltd



Address:  
No2469, Binhai Sixth Road,  
Economic-Technological Development Area,  
Wenzhou,China

Post Code:325000

Tel:+86-0577-88056888  
Max:+86-0577-88056999

XK GK Products Services  
please visit and contact us:  
www.zjxkgk.cc

Technical Support  
Tel:+86-13656518258  
Email:jay@zjxkgk.cc

Service,Sales  
Tel:+86-18858717208  
Email:echo@zjxkgk.cc

Dealer Management  
Tel:+86-13868510768  
Email:lana@zjxkgk.cc

Copyright@2017 XK GK

Professional sanitary valves&fittings supplier,supply and marketing worldwide.

# Sanitary Manhole

**+ Round Outward Manhole With Pressure XKKGK-8001**

How To Order

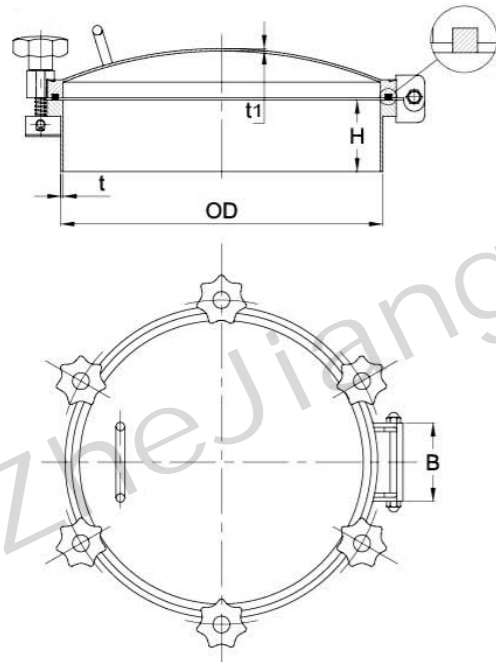
Size	Material	Inner Surf.	Outer Surf.
400	304	0.8μm~0.4μm	Matte
Handwheel-Num	Height	Gasket	Pressure
6 Plastic	100mm	Silicone	1-3bar

Feature:

Gasket:Silicone/EPDM/NBR/FPM in accordance with FDA 177.2600  
 Material:304(1.4301),316L(1.4404)  
 Internal surface:0.8μm-0.4μm  
 Outside surface:Mirror polished,Matte, sand-blasting finished



Specification



Size	OD mm	t mm	H mm	t1 mm	Handwheel-Num	Pres (Bar)
200	206	3	100	3	4	1-3
300	306	3	100	3	4	1-3
350	356	3	100	3	5	1-3
400	406	3	100	3	6	1-3
430	436	3	100	3	6	1-3
450	456	3	100	3	6	1-3
500	508	3	100	3	6	1-3
600	608	3	100	3	6	1-3

\*Height(H) and Frame(t) and cover(t1) can be changed according to your requirement.

**+ Round Outward Manhole XKKGK-8002**

How To Order

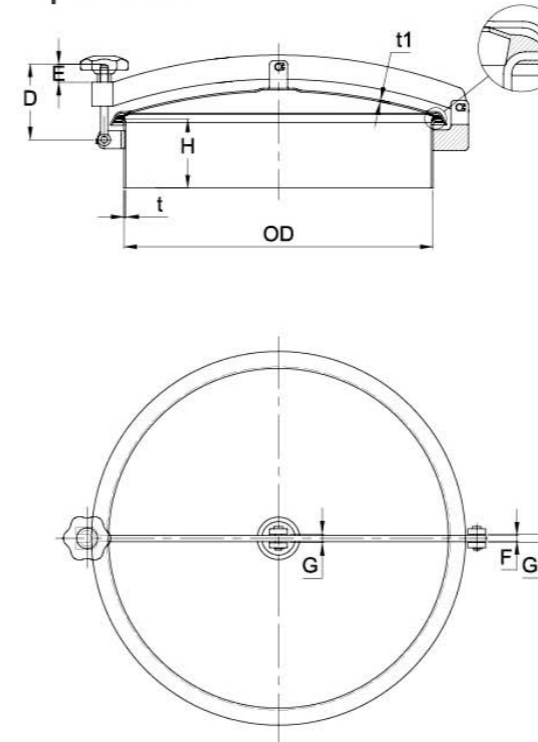
Size	Material	Inner Surf.	Outer Surf.
400	304	0.8μm~0.4μm	Matte
Handwheel-Num	Height	Gasket	Pressure
1 Plastic	100mm	Silicone	0-0.1bar

Feature:

Gasket:Silicone/EPDM/NBR/FPM in accordance with FDA 177.2600  
 Material:304(1.4301),316L(1.4404)  
 Internal surface:0.8μm-0.4μm  
 Outside surface:Mirror polished,Matte, sand-blasting finished



Specification



Size	OD mm	t mm	H mm	t1 mm	Pres (Bar)
200	200	2.5	100	2	0-0.1
219	219	2.5	100	2	0-0.1
300	300	2.5	100	2	0-0.1
350	350	2.5	100	2	0-0.1
400	400	3	100	2.5	0-0.1
430	430	3	100	2.5	0-0.1
450	450	3	100	2.5	0-0.1
500	500	3	100	2.5	0-0.1
600	600	4	100	3	0-0.1
420X300 (Oval)	420X300	3	100	2.5	0-0.1

\*Height(H) and Frame(t) and cover(t1) can be changed according to your requirement.



**+ Round Outward Manhole (Upper Seal) XKGGK-8003**

How To Order

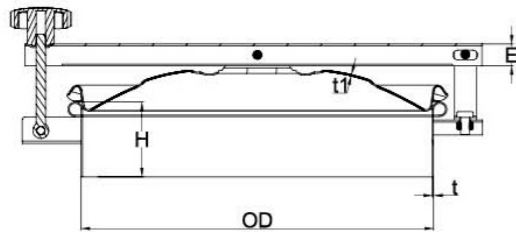
Size	Material	Inner Surf.	Outer Surf.
400	304	0.8μm~0.4μm	0.8μm~0.4μm
Handwheel-Num	Height	Gasket	Pressure
1 Plastic	100mm	Silicone	0-1bar

Feature:

Gasket:Silicone/EPDM/NBR/FPM in accordance with FDA 177.2600  
 Material:304(1.4301),316L(1.4404)  
 Internal surface:0.8μm-0.4μm  
 Outside surface:Mirror polished,Matte, sand-blasting finished

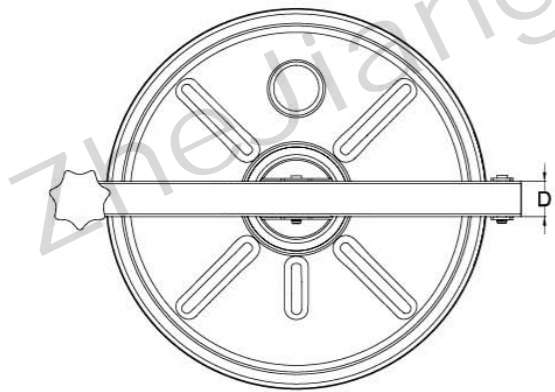


Specification



Size	OD mm	t mm	H mm	t1 mm	Pres (Bar)
300	304	2	100	1.5	0-1
350	354	2	100	1.5	0-1
430	434	2	100	1.5	0-1
450	434	2	100	1.5	0-1
500	504	2	100	1.5	0-1

\*Height(H) and Frame(t) and cover(t1) can be changed according to your requirement.



**+ Round Manhole With Sight Glass XKGGK-8004**

How To Order

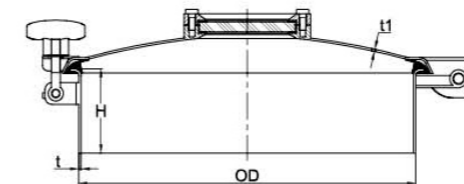
Size	Material	Inner Surf.	Outer Surf.
400	304	0.8μm~0.4μm	Matte
Handwheel-Num	Height	Gasket	Pressure
1 Plastic	100mm	Silicone	0-0.2bar

Feature:

Gasket:Silicone/EPDM/NBR/FPM in accordance with FDA 177.2600  
 Material:304(1.4301),316L(1.4404)  
 Internal surface:0.8μm-0.4μm  
 Outside surface:Mirror polished,Matte, sand-blasting finished

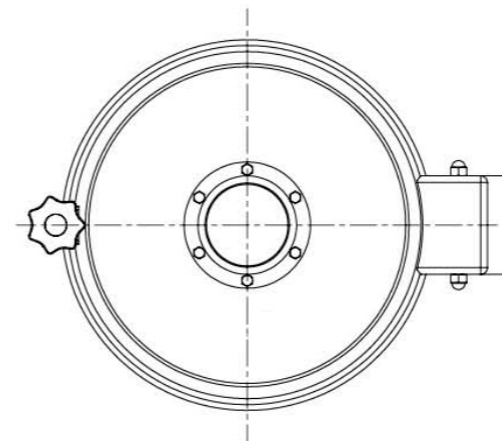


Specification



Size	OD mm	t mm	H mm	t1 mm	Sight Glass	Pres (Bar)
350	355	2.5	100	2.5	DN80	0-0.2
400	406	3	100	3	DN100	0-0.2
450	456	3	100	3	DN150	0-0.2
500	506	3	100	3	DN200	0-0.2
600	608	4	100	3	DN400/500	0-0.2

\*Height(H) and Frame(t) and cover(t1) can be changed according to your requirement.



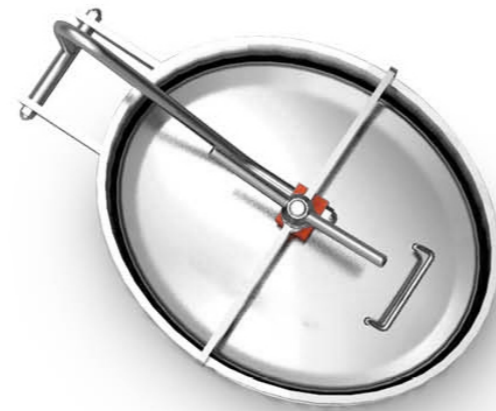
**+** Oval Inward Manhole XKGGK-8005

How To Order

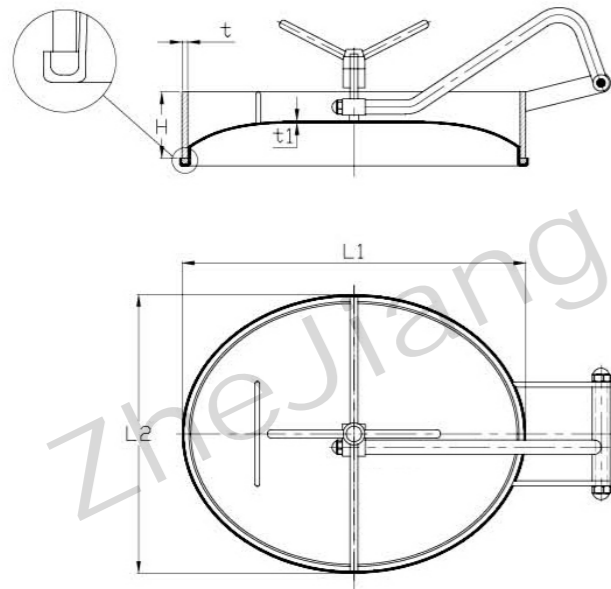
Size	Material	Inner Surf.	Outer Surf.
430X330	304	0.8μm~0.4μm	Matte
Handwheel-Num	Height	Gasket	Pressure
1 Y stainless steel	75mm	Silicone	1-3bar

Feature:

Gasket:Silicone/EPDM/NBR/FPM in accordance with FDA 177.2600  
 Material:304(1.4301),316L(1.4404)  
 Internal surface:0.8μm-0.4μm  
 Outside surface:Mirror polished,Matte, sand-blasting finished



Specification



Size	ODmm L1*L2	t mm	H mm	t1 mm	Pres (Bar)
430*330	430*330	8	75	2.5	1-3
435*335	435*335	10	75	2.5	1-3
450*350	450*350	8	75	3	1-3
530*430	530*430	10	75	3	1-3
535*435	535*435	12	75	3	1-3
635*525	635*525	12	80	3	1-3

\*Height(H) and Frame(t) and cover(t1) can be changed according to your requirement.

**+** Oval Inward Manhole With Bevel Edge XKGGK-8006

How To Order

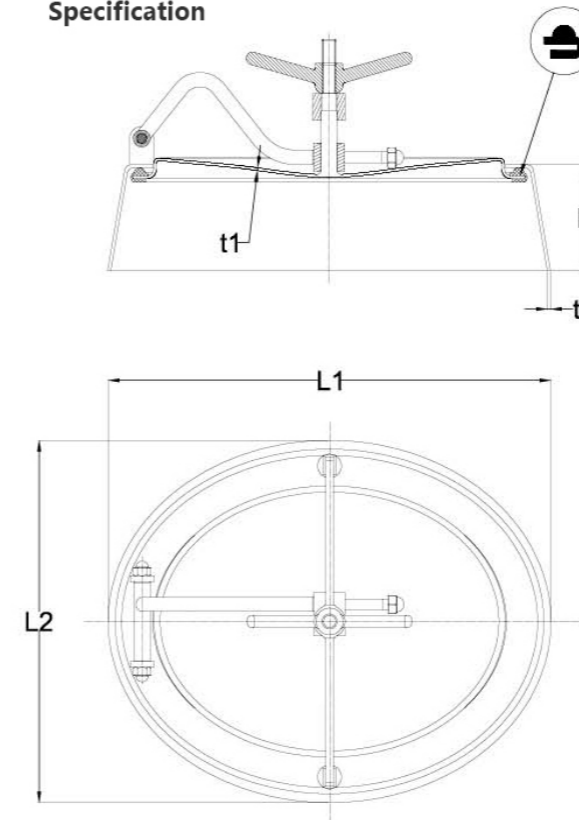
Size	Material	Inner Surf.	Outer Surf.
580X480	304	0.8μm~0.4μm	Matte
Handwheel-Num	Height	Gasket	Pressure
1 Y stainless steel	133mm	Silicone	1-3bar

Feature:

Gasket:Silicone/EPDM/NBR/FPM in accordance with FDA 177.2600  
 Material:304(1.4301),316L(1.4404)  
 Internal surface:0.8μm-0.4μm  
 Outside surface:Mirror polished,Matte, sand-blasting finished



Specification



Size	ODmm L1*L2	t mm	H mm	t1 mm	Pres (Bar)
500*450	500*450	3	800	4	1-3
550*450A	550*450	4	800	5	1-3
565*465	565*465	4	100	5	1-3
580*480	580*480	4	133	5	1-3

\*Height(H) and Frame(t) and cover(t1) can be changed according to your requirement.



➕ Round Outward Manhole With Sight Glass XK GK-8007

How To Order

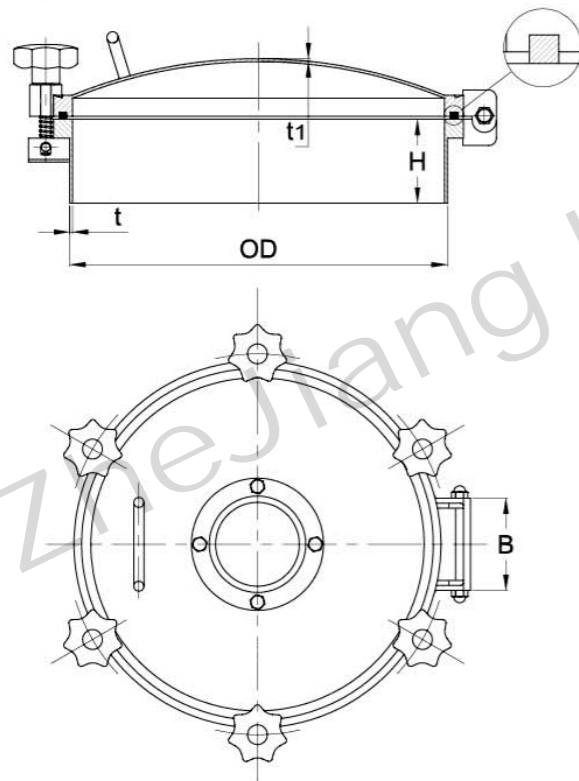
Size	Material	Inner Surf.	Outer Surf.
450	304	0.8μm~0.4μm	Matte
Handwheel-Num	Height	Gasket	Pressure
6 Plastic	100mm	Silicone	1-3bar

Feature:

Gasket:Silicone/EPDM/NBR/FPM in accordance with FDA 177.2600  
 Material:304(1.4301),316L(1.4404)  
 Internal surface:0.8μm-0.4μm  
 Outside surface:Mirror polished,Matte, sand-blasting finished



Specification



Size	OD mm	t mm	H mm	t1 mm	Sight Glass	Pres (Bar)
200	206	3	100	3	DN80	1-3
300	306	3	100	3	DN80	1-3
350	356	3	100	3	DN80	1-3
400	406	3	100	3	DN80	1-3
430	436	3	100	3	DN80	1-3
450	456	3	100	3	DN80	1-3
500	508	4	100	3	DN100	1-3
600	608	4	100	4	DN100	1-3

\*Height(H) and Frame(t) and cover(t1) can be changed according to your requirement.

➕ Rectangular Manhole With Two Intersectant Arms XK GK-8008

How To Order

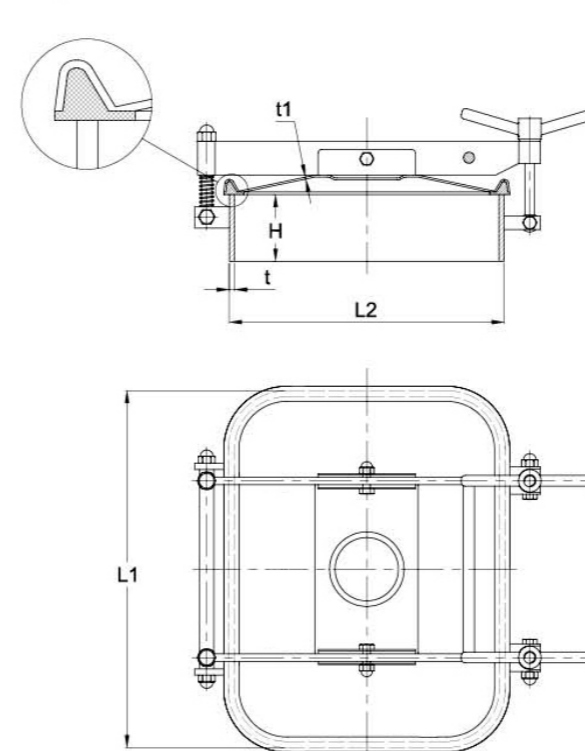
Size	Material	Inner Surf.	Outer Surf.
435X335	304	0.8μm~0.4μm	0.8μm~0.4μm
Handwheel-Num	Height	Gasket	Pressure
2 Y stainless steel	80mm	Silicone	1-3bar

Feature:

Gasket:Silicone/EPDM/NBR/FPM in accordance with FDA 177.2600  
 Material:304(1.4301),316L(1.4404)  
 Internal surface:0.8μm-0.4μm  
 Outside surface:Mirror polished,Matte, sand-blasting finished



Specification



Size	ODmm L1*L2	t mm	H mm	t1 mm	Pres (Bar)
235*185	235*185	5	70	1.5	1-3
435*335	435*335	8	80	3	1-3
535*435	535*435	8	100	3	1-3
700*500	700*500	12	100	3	1-3

\*Height(H) and Frame(t) and cover(t1) can be changed according to your requirement.

⊕ Rectangular Manhole With One Intersectant Arms XK GK-8009

How To Order

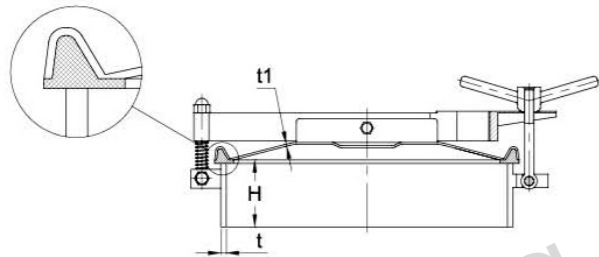
Size	Material	Inner Surf.	Outer Surf.
435x335	304	0.8μm~0.4μm	0.8μm~0.4μm
Handwheel-Num	Height	Gasket	Pressure
1 Y stainless steel	80mm	Silicone	1-3bar

Feature:

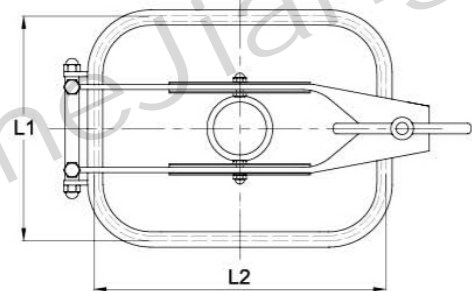
Gasket:Silicone/EPDM/NBR/FPM in accordance with FDA 177.2600  
 Material:304(1.4301),316L(1.4404)  
 Internal surface:0.8μm-0.4μm  
 Outside surface:Mirror polished,Matte, sand-blasting finished



Specification



Size	ODmm L1*L2	t mm	H mm	t1 mm	Pres (Bar)
235*185	235*185	5	70	1.5	1-3
435*335	435*335	8	80	3	1-3
535*435	535*435	8	100	3	1-3
700*500	700*500	12	100	3	1-3



\*Height(H) and Frame(t) and cover(t1) can be changed according to your requirement.

Private custom



NEXT PAGE





### + Non-Pressure Stainless Steel Round Manways XK GK-9001

STANDARD SIZE/\* At temperature 50°C / 122 °F

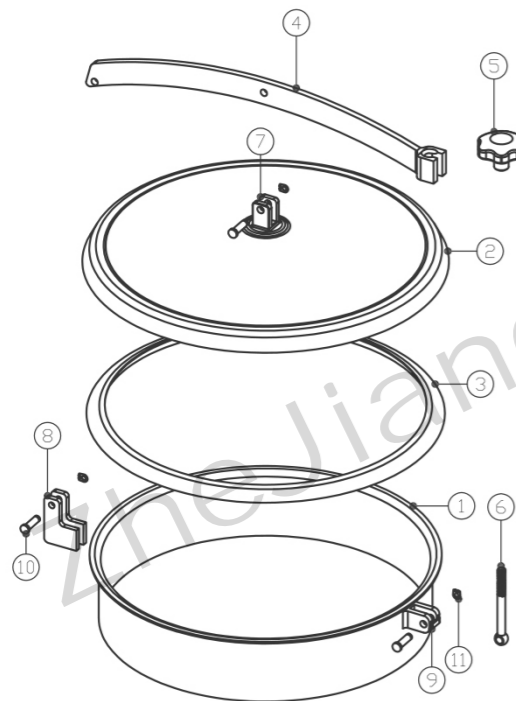
CODE	A	OD×C	B	T	P.MAX
	mm	mm	mm	mm	bar
219	214	219×2.5	100	2.0	0.2
300	294	300×3.0	100	2.5	0.18
350	344	350×3.0	100	2.5	0.15
400	394	400×3.0	100	2.5	0.12
430	424	430×3.0	100	2.5	0.1
450	444	450×3.0	100	2.5	0.1
500	494	500×3.0	100	2.5	0
600	594	600×3.0	100	2.5	0

IF YOU WANT TO CHECK FOR MORE DETAILS  
PLEASE CHECK THE FOLLOWING DRAWING

\*1BAR = 14.5PSI=0.1MPA



#### Parts Drawing



Item	Description	Material	Qty
1	Frame	1.4301/1.4404	1
2	Cover	1.4301/1.4404	1
3	Gasket	Silicon	1
4	Bracket	304	1
5	Handle	Plastic/T304	1
6	Swing bolt	T304	1
7	Up hinge Support	T304	1
8	Back hinge Support	T304	1
9	Front hinge Support	T304	1
10	Pin	T304	3
11	Lock ring	T304	3

Cover & Frame Range	
Cover Thickness	Frame/Neck Height
2.0mm	85mm (3.35")
2.5mm	100mm (3.94")
3.0mm	120mm (4.72")
	150mm (5.91")
	200mm (7.76")
	250mm (9.85")

Note: Longer heights are also available.

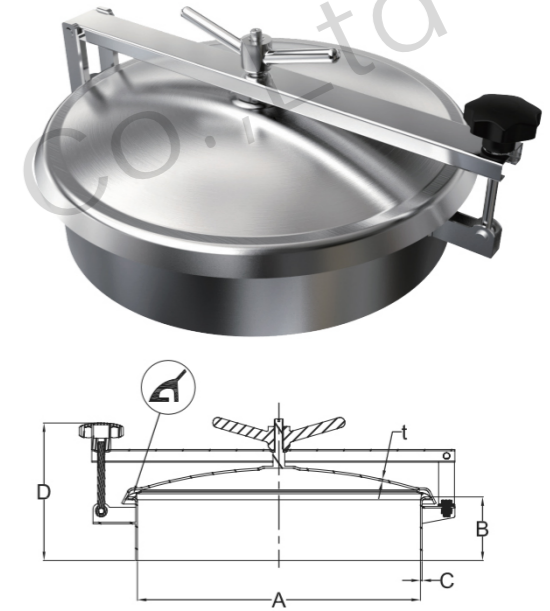
### + Non-pressure Stainless Steel Round Manlids XK GK-9002

STANDARD SIZE/\* At temperature 50°C / 122 °F

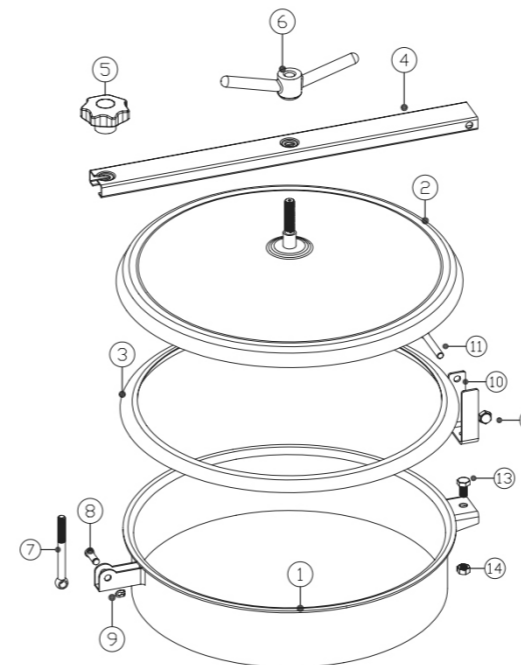
CODE	A	OD×C	B	T	P.MAX
	mm	mm	mm	mm	bar
219	214	219×2.5	100	2.0	0.2
300	294	300×3.0	100	2.5	0.18
350	344	350×3.0	100	2.5	0.15
400	394	400×3.0	100	2.5	0.12
430	424	430×3.0	100	2.5	0.1
450	444	450×3.0	100	2.5	0.1
500	494	500×3.0	100	2.5	0
600	594	600×3.0	100	2.5	0

IF YOU WANT TO CHECK FOR MORE DETAILS  
PLEASE CHECK THE FOLLOWING DRAWING

\*1BAR = 14.5PSI=0.1MPA



#### Parts Drawing



Item	Description	Material	Qty
1	Frame	1.4301/1.4404	1
2	Cover	1.4301/1.4404	1
3	Gasket	Silicon	1
4	Bracket	304	1
5	Handle	Plastic/T304	1
6	Nut	T304	1
7	Swing bolt	T304	1
8	Pin	T304	1
9	Lock ring	T304	1
10	Back hinge support	T304	1
11	Screw	T304	1
12	Nut	T304	1
13	Screw	T304	1
14	Nut	T304	1

Cover & Frame Range	
Cover Thickness	Frame/Neck Height
2.0mm	85mm (3.35")
2.5mm	100mm (3.94")
3.0mm	120mm (4.72")
	150mm (5.91")
	200mm (7.76")
	250mm (9.85")

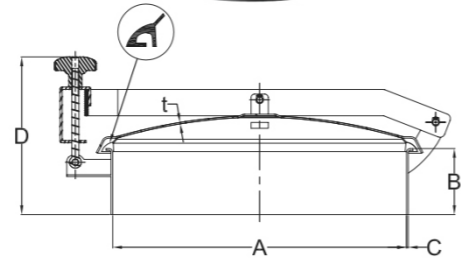
Note: Longer heights are also available.

**Non-Pressure Sanitary Round Manways XKGGK-9003**

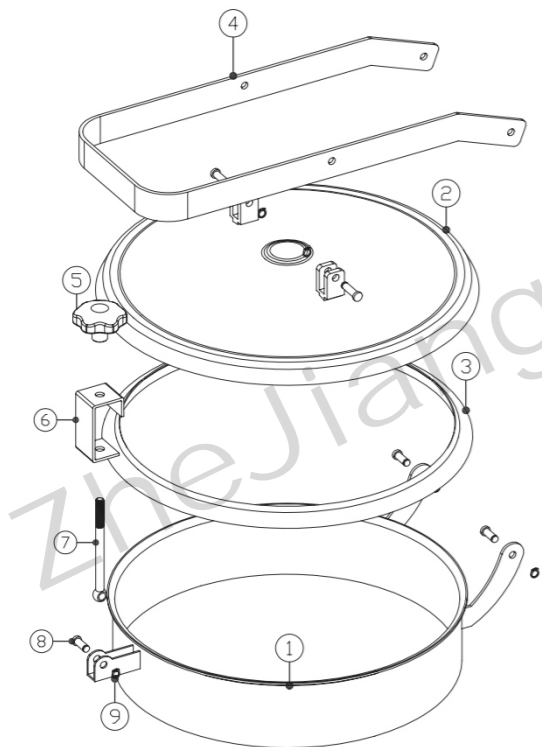
STANDARD SIZE/\* At temperature 50°C /122 °F

CODE	A	OD×C	B	T	P.MAX
	mm	mm	mm	mm	bar
219	214	219×2.5	100	2.0	0.3
300	294	300×3.0	100	2.5	0.22
350	344	350×3.0	100	2.5	0.18
400	394	400×3.0	100	2.5	0.16
430	424	430×3.0	100	2.5	0.15
450	444	450×3.0	100	2.5	0.12
500	494	500×3.0	100	2.5	0.1
600	594	600×3.0	100	2.5	0

IF YOU WANT TO CHECK FOR MORE DETAILS  
PLEASE CHECK THE FOLLOWING DRAWING  
\*1BAR =14.5PSI=0.1MPA



**Parts Drawing**



Item	Description	Material	Qty
1	Frame	1.4301/1.4404	1
2	Cover	1.4301/1.4404	1
3	Gasket	Silicon	1
4	Bracket	304	1
5	Handle	Plastic/T304	1
6	Front hinge support	T304	1
7	Swing bolt	T304	1
8	Pin	T304	5
9	Lock ring	T304	5

Cover & Frame Range	
Cover Thickness	Frame/Neck Height
2.0mm	85mm (3.35")
2.5mm	100mm (3.94")
3.0mm	120mm (4.72")
	150mm (5.91")
	200mm (7.76")
	250mm (9.85")

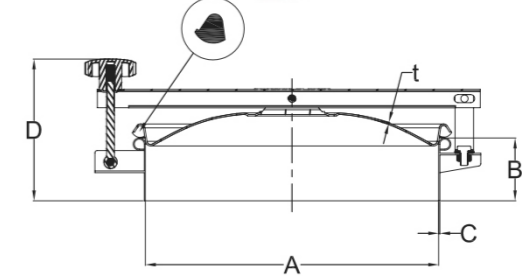
Note: Longer heights are also available.

**Non-pressure Sanitary Round Manlids XKGGK-9004**

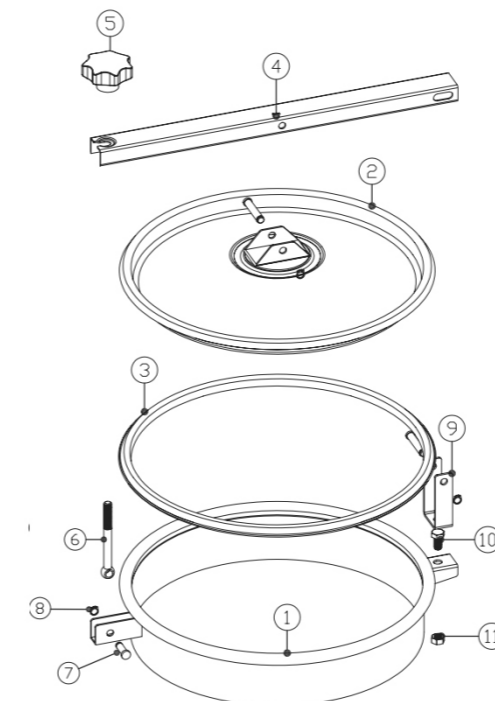
STANDARD SIZE/\* At temperature 50°C /122 °F

CODE	A	OD×C	B	T	P.MAX
	mm	mm	mm	mm	bar
350	346	350×2.0	85	2.0	0.15
400	396	400×2.0	85	2.0	0.12
430	426	430×2.0	85	2.0	0.11
450	446	450×2.0	85	2.0	0.07
500	496	500×2.0	85	2.0	0.05
600	596	600×2.0	85	2.0	0

IF YOU WANT TO CHECK FOR MORE DETAILS  
PLEASE CHECK THE FOLLOWING DRAWING  
\*1BAR =14.5PSI=0.1MPA



**Parts Drawing**



Item	Description	Material	Qty
1	Frame	1.4301/1.4404	1
2	Cover	1.4301/1.4404	1
3	Gasket	Silicon	1
4	Bracket	T304	1
5	Handle	Plastic/T304	1
6	Swing bolt	T304	1
7	Pin	T304	3
8	Lock ring	T304	3
9	Back hinge support	T304	1
10	Screw	T304	1
11	Nut	T304	1

Cover & Frame Range	
Cover Thickness	Frame/Neck Height
2.0mm	85mm (3.35")
2.5mm	100mm (3.94")
	120mm (4.72")
	150mm (5.91")
	200mm (7.76")
	250mm (9.85")

Note: Longer heights are also available.

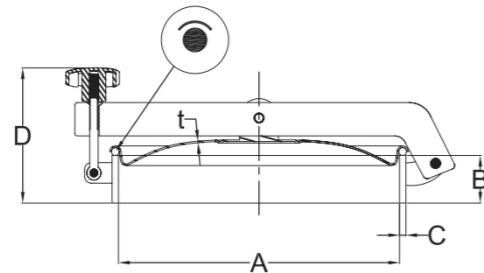


**+** Non-Pressure Sanitary Round Manways XKGGK-9005

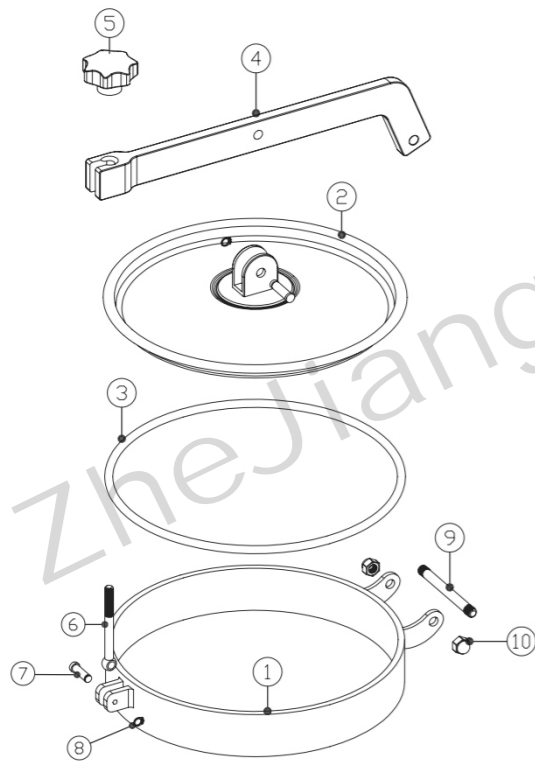
STANDARD SIZE/\* At temperature 50°C /122 °F

CODE	A	OD×C	B	t	P.MAX
	mm	mm	mm	mm	bar
350	334	350×8.0	85	2.0	0.2
400	384	400×8.0	85	2.0	0.12
450	434	450×8.0	85	2.0	0.1

IF YOU WANT TO CHECK FOR MORE DETAILS  
PLEASE CHECK THE FOLLOWING DRAWING  
\*1BAR =14.5PSI=0.1MPA



Parts Drawing



Item	Description	Material	Qty
1	Frame	1.4301/1.4404	1
2	Cover	1.4301/1.4404	1
3	Gasket	Silicon	1
4	Bracket	T304	1
5	Handle	Plastic/T304	1
6	Swing bolt	T304	1
7	Pin	T304	2
8	Lock ring	T304	2
9	Screw	T304	1
10	Nut	T304	2

Cover & Frame Range	
Cover Thickness	Frame/Neck Height
2.0mm	85mm (3.35")
2.5mm	100mm (3.94")
	120mm (4.72")

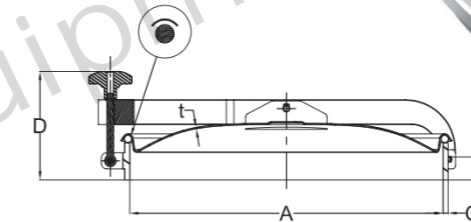
Note: Longer heights are also available.

**+** Non-pressure Sanitary Round Manlids XKGGK-9006

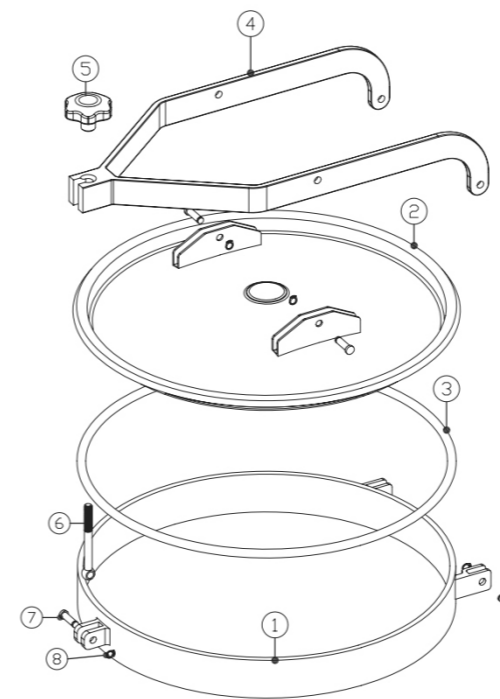
STANDARD SIZE/\* At temperature 50°C /122 °F

CODE	A	OD×C	B	T	P.MAX
	mm	mm	mm	mm	bar
450	434	450×8.0	85	2.0	0.4
500	484	500×8.0	85	2.0	0.3
600	584	600×8.0	85	2.0	0.2

IF YOU WANT TO CHECK FOR MORE DETAILS  
PLEASE CHECK THE FOLLOWING DRAWING  
\*1BAR =14.5PSI=0.1MPA



Parts Drawing



Item	Description	Material	Qty
1	Frame	1.4301/1.4404	1
2	Cover	1.4301/1.4404	1
3	Gasket	Silicon	1
4	Bracket	T304	1
5	Handle	Plastic/T304	1
6	Swing bolt	T304	1
7	Pin	T304	4
8	Lock ring	T304	4

Cover & Frame Range	
Cover Thickness	Frame/Neck Height
2.0mm	85mm (3.35")
2.5mm	100mm (3.94")

Note: Longer heights are also available.

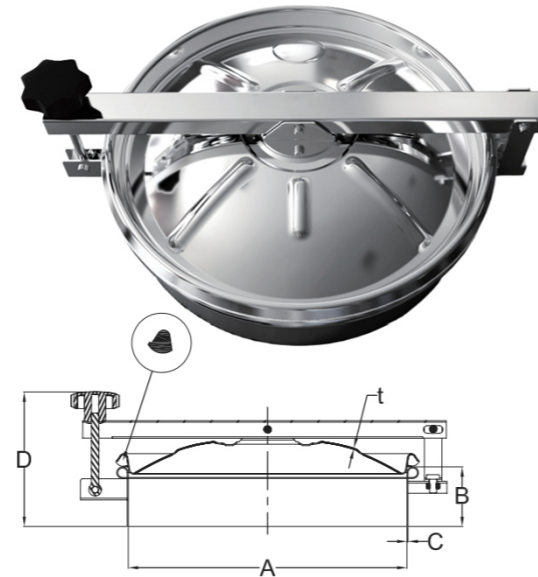
**Sanitary Round Manway with Back-Side Opening XK GK-9007**

STANDARD SIZE/\* At temperature 50°C /122 °F

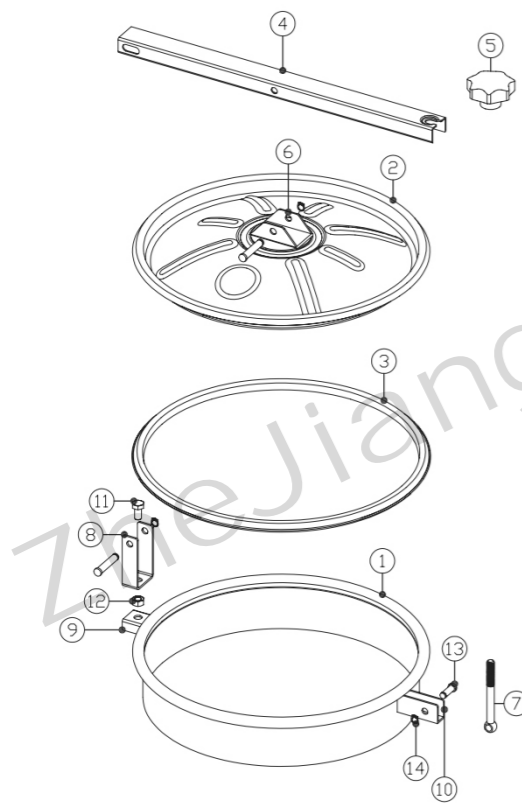
CODE	A	OD×C	B	T	P.MAX
	mm	mm	mm	mm	bar
350	346	350×2.0	85	2.0	0.3
400	396	400×2.0	85	2.0	0.2
430	426	430×2.0	85	2.0	0.15
450	446	450×2.0	85	2.0	0.12
500	496	500×2.0	85	2.0	0.07
600	596	600×2.0	85	2.0	0

IF YOU WANT TO CHECK FOR MORE DETAILS  
PLEASE CHECK THE FOLLOWING DRAWING

\*1BAR = 14.5PSI=0.1MPA



**Parts Drawing**



Item	Description	Material	Qty
1	Frame	1.4301/1.4404	1
2	Cover	1.4301/1.4404	1
3	Gasket	Silicon	1
4	Bracket	304	1
5	Handle	Plastic/T304	1
6	Up hinge support	T304	1
7	Swing bolt	T304	1
8	Back hinge support	T304	1
9	Back hinge support	T304	1
10	Front hinge support	T304	1
11	Screw	T304	1
12	Nut	T304	1
13	Pin	T304	3
14	Lock ring	T304	3

Cover & Frame Range	
Cover Thickness	Frame/Neck Height
2.0mm	85mm (3.35")
2.5mm	100mm (3.94")
	120mm (4.72")
	150mm (5.91")
	200mm (7.76")
	250mm (9.85")

Note: Longer heights are also available.

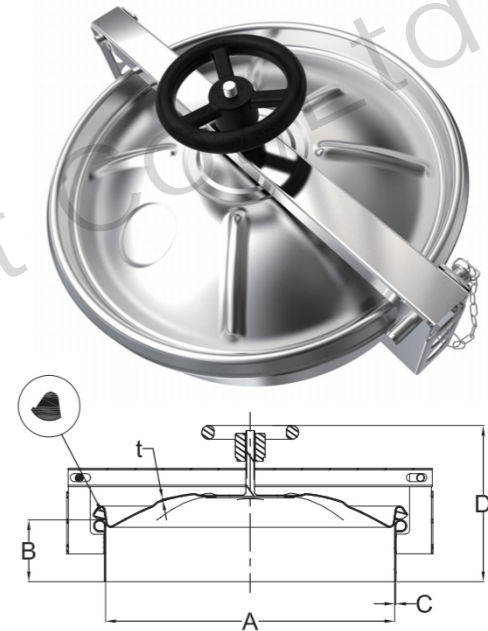
**Stainless Steel Round Manway Outward-open XK GK-9008**

STANDARD SIZE/\* At temperature 50°C /122 °F

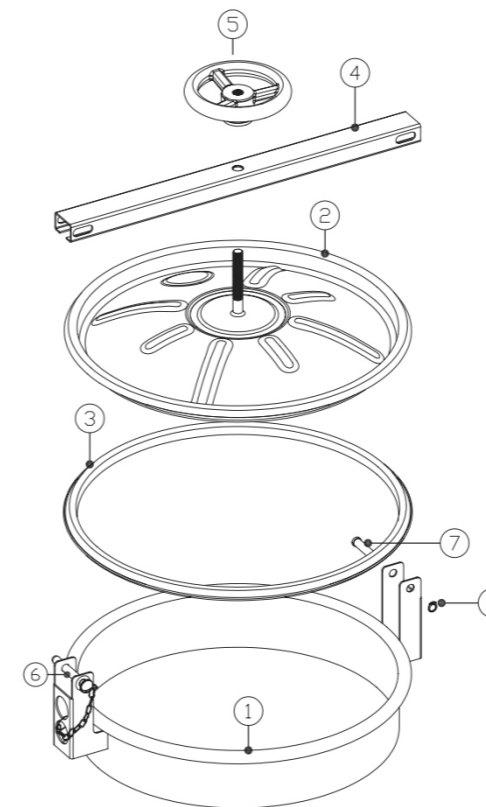
CODE	A	OD×C	B	T	P.MAX
	mm	mm	mm	mm	bar
350	346	350×2.0	85	2.0	0.2
400	396	400×2.0	85	2.0	0.15
430	426	430×2.0	85	2.0	0.15
450	446	450×2.0	85	2.0	0.1
500	496	500×2.0	85	2.0	0.1
600	596	600×2.0	85	2.0	0

IF YOU WANT TO CHECK FOR MORE DETAILS  
PLEASE CHECK THE FOLLOWING DRAWING

\*1BAR = 14.5PSI=0.1MPA



**Parts Drawing**



Item	Description	Material	Qty
1	Frame	1.4301/1.4404	1
2	Cover	1.4301/1.4404	1
3	Gasket	Silicon	1
4	Bracket	304	1
5	Hand wheel	Plastic/T304	1
6	Pin Lock	T304	1
7	Pin	T304	1
8	Lock ring	T304	1

Cover & Frame Range	
Cover Thickness	Frame/Neck Height
2.0mm	85mm (3.35")
2.5mm	100mm (3.94")
	120mm (4.72")
	150mm (5.91")
	200mm (7.76")
	250mm (9.85")

Note: Longer heights are also available.

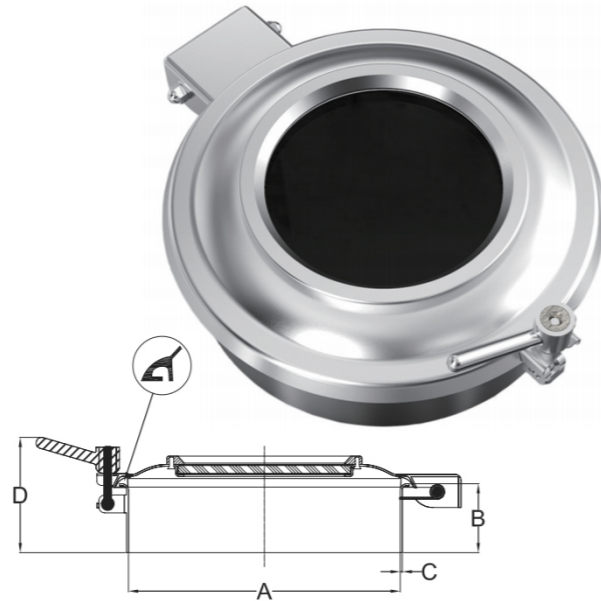


**Round Manhole Cover With Glass Pane XKGGK-9009**

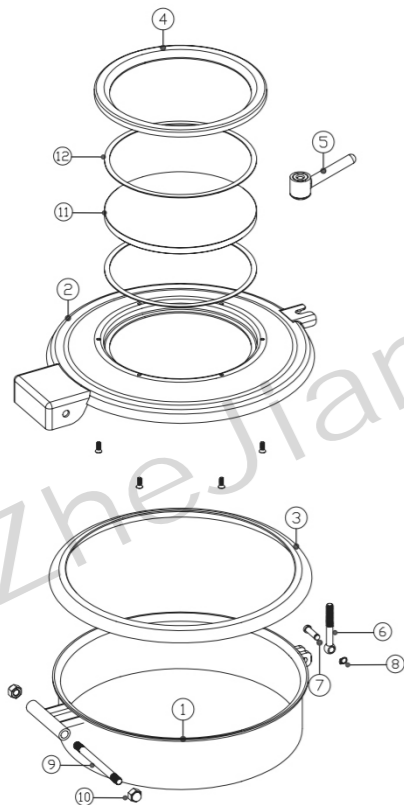
STANDARD SIZE/\* At temperature 50°C /122 °F

CODE	A	OD×C	B	P.MAX
	mm	mm	mm	bar
450	444	450×3.0	100	0.2
500	494	500×3.0	100	0.15
550	544	550×3.0	100	0.07
600	594	600×3.0	100	0

IF YOU WANT TO CHECK FOR MORE DETAILS  
PLEASE CHECK THE FOLLOWING DRAWING  
\*1BAR = 14.5PSI=0.1MPA



**Parts Drawing**



Item	Description	Material	Qty
1	Frame	1.4301/1.4404	1
2	Cover	1.4301/1.4404	1
3	Gasket	Silicon	1
4	Top flange	T304	1
5	Handle	1.4301	1
6	Swing bolt	T304	1
7	Pin	T304	1
8	Lock ring	T304	1
9	Screw	T304	1
10	Nut	T304	2
11	Glass	Tempered glass	1
12	Seal	PTFE	2

Cover & Frame Range	
Cover Thickness	Frame/Neck Height
2.5mm	85mm (3.35")
3.0mm	100mm (3.94")
	120mm (4.72")
	150mm (5.91")
	200mm (7.76")
	250mm (9.85")

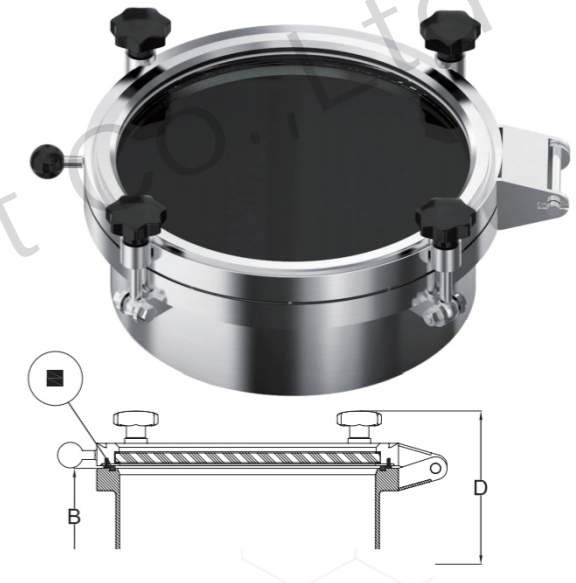
Note: Longer heights are also available.

**Round Manhole Cover With Glass Pane XKGGK-9010**

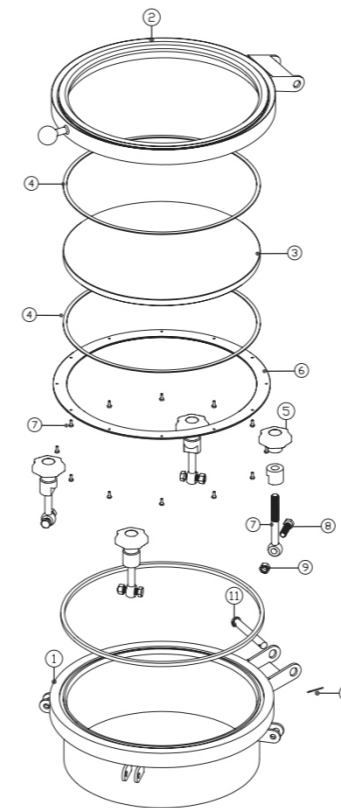
STANDARD SIZE/\* At temperature 50°C /122 °F

CODE	A	OD×C	BOLTS	B	P.MAX
	mm	mm	No. of	mm	bar
200	200	206×3.0	4	100	2.5
300	300	306×3.0	4/6	100	2.0
400	400	406×3.0	4/6	100	1.5
450	450	456×3.0	4/6	100	1.5
500	500	506×3.0	4/6	100	1.0
600	600	606×3.0	4/6	100	0.5

IF YOU WANT TO CHECK FOR MORE DETAILS  
PLEASE CHECK THE FOLLOWING DRAWING  
\*1BAR = 14.5PSI=0.1MPA



**Parts Drawing**



Item	Description	Material	Qty
1	Frame	1.4301/1.4404	1
2	Cover	1.4301/1.4404	1
3	Glass	Tempered glass	1
4	Seal	PTFE	2
5	Handle	Plastic/1.4301	4
6	Flange	T304	1
7	Swing bolt	T304	4
8	Screw	T304	4
9	Nut	T304	4
10	Cotter Pin	T304	1
11	Pin	T304	1

Cover & Frame Range	
Cover Thickness	Frame/Neck Height
20mm	85mm (3.35")
22mm	100mm (3.94")
35mm	120mm (4.72")
	150mm (5.91")
	200mm (7.76")
	250mm (9.85")

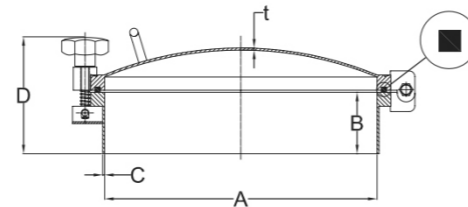
Note: Longer heights are also available.

Sanitary Round Manhole Cover XKGGK-9011

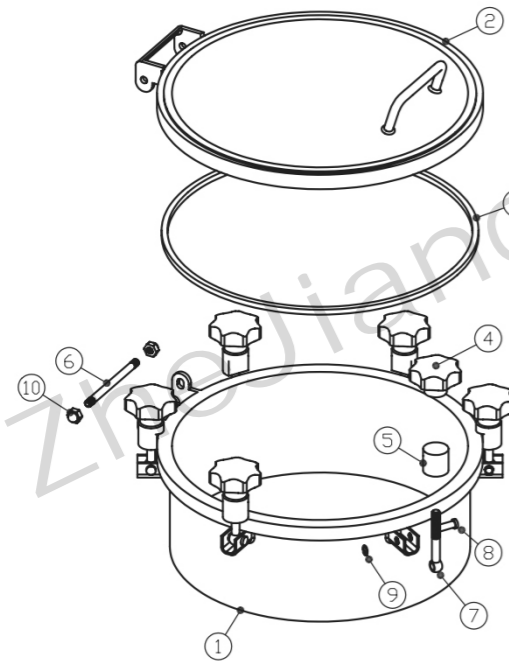
STANDARD SIZE/\* At temperature 50°C /122 °F

CODE	A	OD×C	BOLTS	B	t	P.MAX
	mm	mm	No. of	mm	mm	bar
200	200	206×3.0	4	100	3.0	5.5
300	300	306×3.0	4/6	100	3.0	5.5
350	350	356×3.0	4/6	100	3.0	5
400	450	456×3.0	4/6/8	100	3.0	4
430	430	436×3.0	4/6/8	100	3.0	4
450	450	456×3.0	6/8/10	100	3.0	3.5
500	500	506×3.0	6/8/10	100	3.0	2.5
600	600	606×3.0	6/8/10/12	100	4.0	2

IF YOU WANT TO CHECK FOR MORE DETAILS  
PLEASE CHECK THE FOLLOWING DRAWING  
\*1BAR =14.5PSI=0.1MPA



Parts Drawing



Item	Description	Material	Qty
1	Frame	1.4301/1.4404	1
2	Cover	1.4301/1.4404	1
3	Gasket	Silicon	1
4	Handle	Plastic/1.4301	6
5	Hub	T304	6
6	Screw	T304	1
7	Swing Bolt	T304	6
8	Pin	T304	6
9	Lock Ring	T304	6
10	Nut	T304	2

Cover & Frame Range	
Cover Thickness	Frame/Neck Height
3.0 mm	85mm (3.35")
3.5 mm	100mm (3.94")
4.0 mm	120mm (4.72")
	150mm (5.91")
	200mm (7.76")
	250mm (9.85")

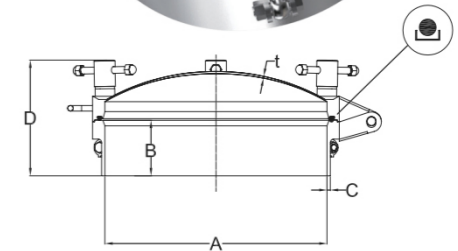
Note: Longer heights are also available.

Pressure Round Manways XKGGK-9012

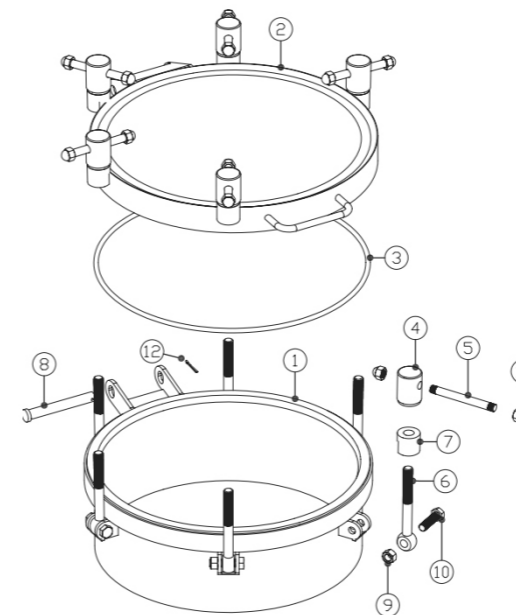
STANDARD SIZE/\* At temperature 50°C /122 °F

CODE	A	OD×C	BOLTS	B	T	P.MAX
	mm	mm	No. of	mm	mm	bar
200	200	208×4.0	4	100	3.5	7.0
300	300	308×4.0	4/6	100	3.5	6.5
350	350	358×4.0	4/6	100	3.5	6.0
400	450	458×4.0	4/6/8	100	3.5	5.5
430	430	438×4.0	4/6/8	100	3.5	5.5
450	450	458×4.0	6/8/10	100	3.5	5.0
500	500	510×5.0	6/8/10	100	4.0	4.5

IF YOU WANT TO CHECK FOR MORE DETAILS  
PLEASE CHECK THE FOLLOWING DRAWING  
\*1BAR =14.5PSI=0.1MPA



Parts Drawing



Item	Description	Material	Qty
1	Frame	1.4301/1.4404	1
2	Cover	1.4301/1.4404	1
3	Gasket	Silicon	1
4	Handle part	T304	6
5	Screw	T304	6
6	Swing bolt	T304	6
7	Hub	T304	6
8	Pin	T304	1
9	Nut	T304	6
10	Screw	T304	6
11	Nut	T304	12
12	Cotter Pin	T304	1

Cover & Frame Range	
Cover Thickness	Frame/Neck Height
3.0 mm	85mm (3.35")
3.5 mm	100mm (3.94")
4.0 mm	120mm (4.72")
	150mm (5.91")
	200mm (7.76")
	250mm (9.85")

Note: Longer heights are also available.



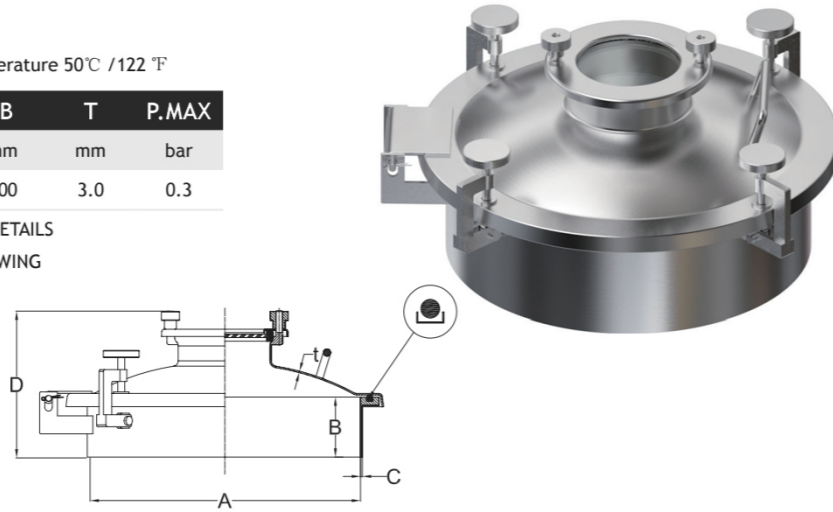
**+ Non-Pressure Hygiene Round Manways XKGGK-9013**

STANDARD SIZE/\* At temperature 50°C /122 °F

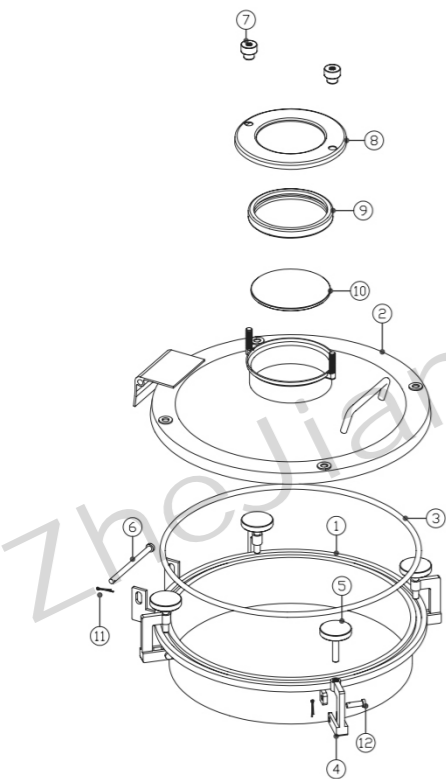
CODE	A	OD×C	B	T	P.MAX
	mm	mm	mm	mm	bar
450	450	456×3.0	100	3.0	0.3

IF YOU WANT TO CHECK FOR MORE DETAILS  
PLEASE CHECK THE FOLLOWING DRAWING

\*1BAR =14.5PSI=0.1MPA



**Parts Drawing**



Item	Description	Material	Qty
1	Frame	1.4301/1.4404	1
2	Cover	1.4301/1.4404	1
3	Gasket	Silicon	1
4	Support	T304	4
5	Handle	T304	4
6	Pin	T304	1
7	Nut	T304	2
8	SG cover	T304	1
9	SG seal	Silicon	1
10	Sight glass	Tempered glass	1
11	Cotter Pin	T304	5
12	Pin	T304	4

Cover & Frame Range	
Cover Thickness	Frame/Neck Height
2.5mm	85mm (3.35")
3.0mm	100mm (3.94")
	120mm (4.72")
	150mm (5.91")
	200mm (7.76")
	250mm (9.85")

Note: Longer heights are also available.

**+ Round Autoclave Manlids XKGGK-9014**

STANDARD SIZE/\* At temperature 50°C /122 °F

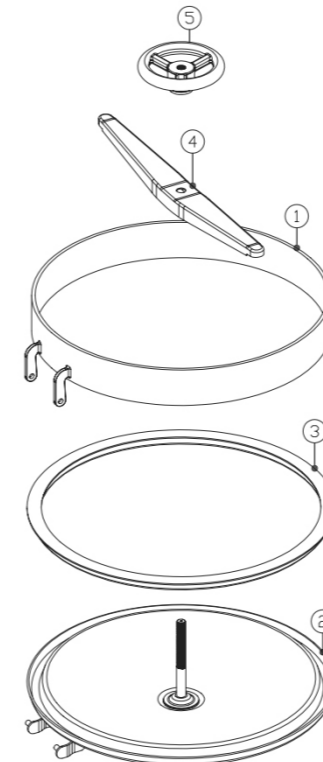
CODE	A	OD×C	B	T	P.MAX
	mm	mm	No. of	mm	bar
430	420	430×5.0	100	3.0	0.12
450	440	450×5.0	100	3.0	0.11
500	490	500×5.0	100	3.0	0.1
600	590	600×5.0	100	3.0	0

IF YOU WANT TO CHECK FOR MORE DETAILS  
PLEASE CHECK THE FOLLOWING DRAWING

\*1BAR =14.5PSI=0.1MPA



**Parts Drawing**



Item	Description	Material	Qty
1	Frame	1.4301/1.4404	1
2	Cover	1.4301/1.4404	1
3	Gasket	Silicon	1
4	Bracket	T304	1
5	Handle	Plastic/T304	1

Cover & Frame Range	
Cover Thickness	Frame/Neck Height
2.0mm	85mm (3.35")
2.5mm	100mm (3.94")
3.0mm	120mm (4.72")

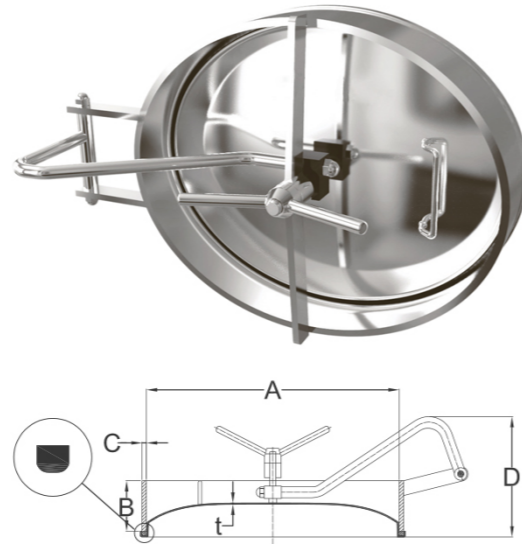
Note: Longer heights are also available.

➕ Stainless Steel Oval Manways XKGGK-9015

STANDARD SIZE/\* At temperature 50°C /122 °F

CODE	A	C	B	T	P.MAX
	mm	mm	mm	mm	bar
430	412×312	8	75	2.5/3.0	3.0
450	434×334	8	75	3.0	2.5
535	515×415	10	75	3.0	2
635	611×501	12	100	4.0	1.5

IF YOU WANT TO CHECK FOR MORE DETAILS  
PLEASE CHECK THE FOLLOWING DRAWING  
\*1BAR ≈14.5PSI=0.1MPA



Parts Drawing



Item	Description	Material	Qty
1	Frame	1.4301/1.4404	1
2	Cover	1.4301/1.4404	1
3	Gasket	EPDM	1
4	Bracket	T304	1
5	Top nut	Plastic/T304	1
6	Suspension arm	T304	1
7	Nut	T304	5
8	Trust collar	T304	1
9	Hub	T304	1

Cover & Frame Range	
Cover Thickness	Frame/Neck Height
2.5mm	75mm (2.95")
3.0mm	100mm (3.94")
4.0mm	120mm (4.72")
	150mm (5.91")
	200mm (7.76")

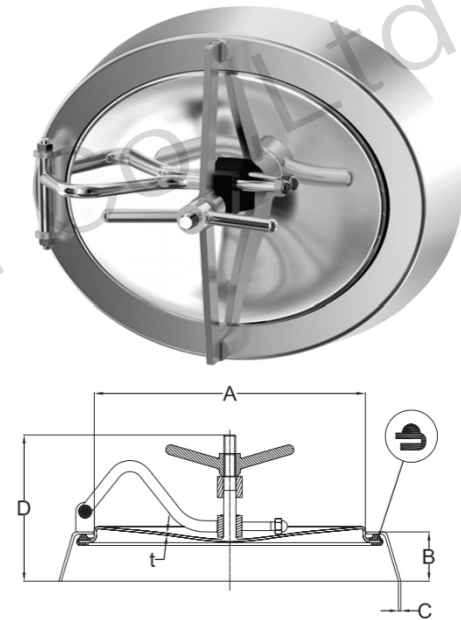
Note: Longer heights are also available.

➕ Stainless Steel Oval Manways XKGGK-9016

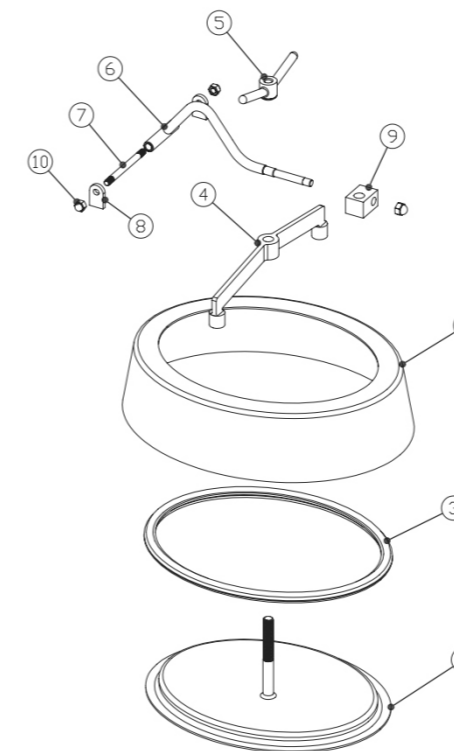
STANDARD SIZE/\* At temperature 50°C /122 °F

CODE	A	E×C	B	t	P.MAX
	mm	mm	mm	mm	bar
555	440×340	555×455×5	75	4.0	3.0
565	440×340	565×465×5	100	4.0	3.0
580	440×340	580×480×5	133	4.0	3.0

IF YOU WANT TO CHECK FOR MORE DETAILS  
PLEASE CHECK THE FOLLOWING DRAWING  
\*1BAR ≈14.5PSI=0.1MPA



Parts Drawing



Item	Description	Material	Qty
1	Frame	1.4301/1.4404	1
2	Cover	1.4301/1.4404	1
3	Gasket	EPDM	1
4	Bracket	T304	1
5	Top nut	T304	1
6	Suspension arm	T304	1
7	Screw	T304	1
8	Hinge ear	T304	2
9	Hub	T304	1
10	Nut	T304	3

Cover & Frame Range	
Cover Thickness	Frame/Neck Height
4.0mm	75mm(2.95")
	100mm (3.94")
	133mm(5.23")

Note: Longer heights are also available.



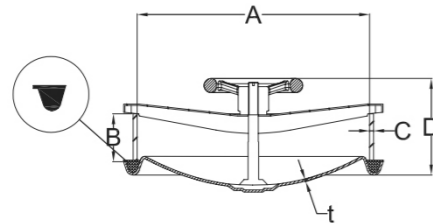
### + Sanitary Oval Manways XK GK-9017

STANDARD SIZE/\* At temperature 50°C /122 °F

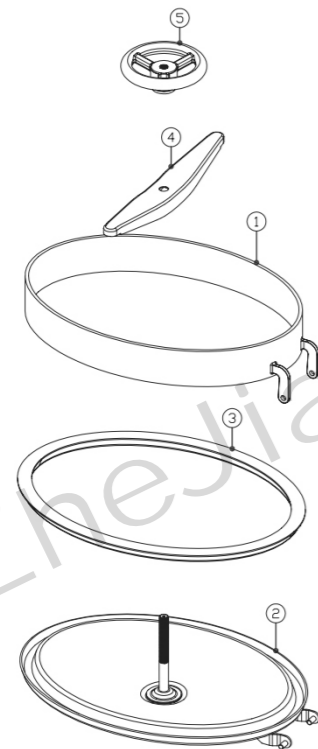
CODE	A	C	B	T	P.MAX
	mm	mm	mm	mm	bar
458	446×311	6	80	3.0	1.5

IF YOU WANT TO CHECK FOR MORE DETAILS  
PLEASE CHECK THE FOLLOWING DRAWING

\*1BAR = 14.5PSI=0.1MPA



#### Parts Drawing



Item	Description	Material	Qty
1	Frame	1.4301/1.4404	1
2	Cover	1.4301/1.4404	1
3	Gasket	EPDM	1
4	Bracket	T304	1
5	Hand Wheel	Plastic/T304	1

Cover & Frame Range	
Cover Thickness	Frame/Neck Height
2.5mm	80mm (3.15")
3.0mm	100mm (3.94")
	120mm (4.72")
	150mm (5.91")
	200mm (7.76")

Note: Longer heights are also available.



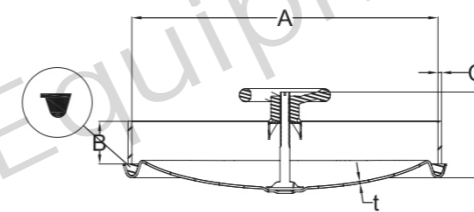
### + Sanitary Oval Manways XK GK-9018

STANDARD SIZE/\* At temperature 50°C /122 °F

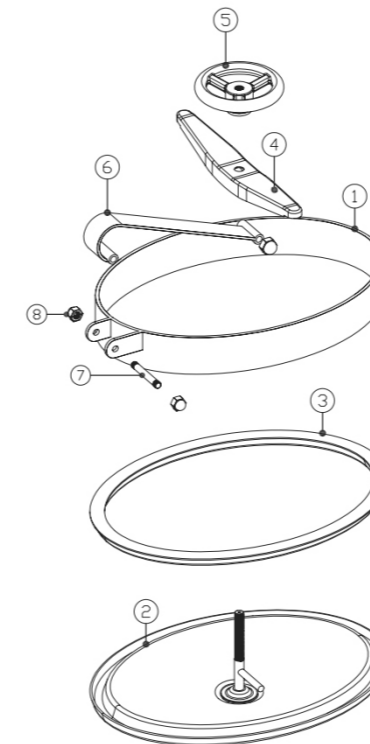
CODE	A	C	B	T	P.MAX
	mm	mm	mm	mm	bar
458	446×311	6	80	3.0	1.5

IF YOU WANT TO CHECK FOR MORE DETAILS  
PLEASE CHECK THE FOLLOWING DRAWING

\*1BAR = 14.5PSI=0.1MPA



#### Parts Drawing



Item	Description	Material	Qty
1	Frame	1.4301/1.4404	1
2	Cover	1.4301/1.4404	1
3	Gasket	EPDM	1
4	Bracket	T304	1
5	Hand Wheel	Plastic/T304	1
6	Suspension arm	T304	1
7	Screw	T304	1
8	Nut	T304	3

Cover & Frame Range	
Cover Thickness	Frame/Neck Height
2.5mm	80mm (3.15")
3.0mm	100mm (3.94")
	120mm (4.72")
	150mm (5.91")
	200mm (7.76")

Note: Longer heights are also available.



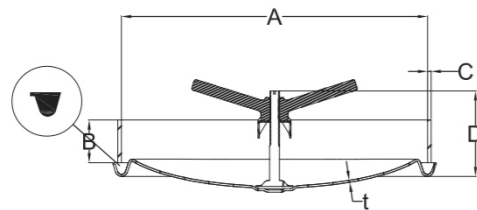
### + Sanitary Oval Manlids XKGGK-9019

STANDARD SIZE/\* At temperature 50°C /122 °F

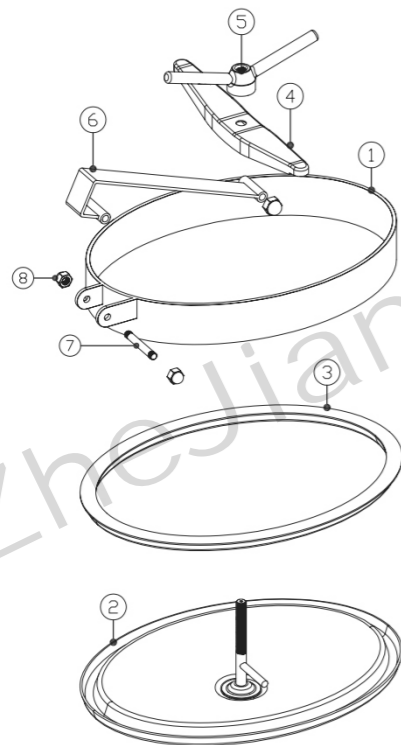
CODE	A	C	B	T	P.MAX
	mm	mm	mm	mm	bar
458	446×311	6	80	3.0	1.5

IF YOU WANT TO CHECK FOR MORE DETAILS  
PLEASE CHECK THE FOLLOWING DRAWING

\*1BAR = 14.5PSI=0.1MPA



#### Parts Drawing



Item	Description	Material	Qty
1	Frame	1.4301/1.4404	1
2	Cover	1.4301/1.4404	1
3	Gasket	EPDM	1
4	Bracket	T304	1
5	Top nut	T304	1
6	Suspension arm	T304	1
7	Screw	T304	1
8	Nut	T304	3

Cover & Frame Range	
Cover Thickness	Frame/Neck Height
2.5mm	80mm (3.15")
3.0mm	100mm (3.94")
	120mm (4.72")
	150mm (5.91")
	200mm (7.76")

Note: Longer heights are also available.

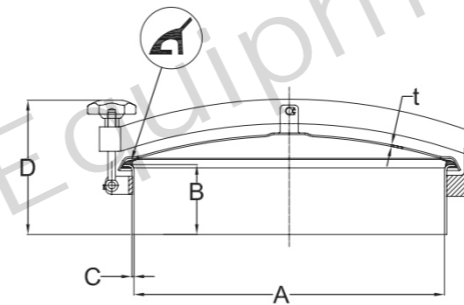
### + Sanitary Oval Manway door XKGGK-9020

STANDARD SIZE/\* At temperature 50°C /122 °F

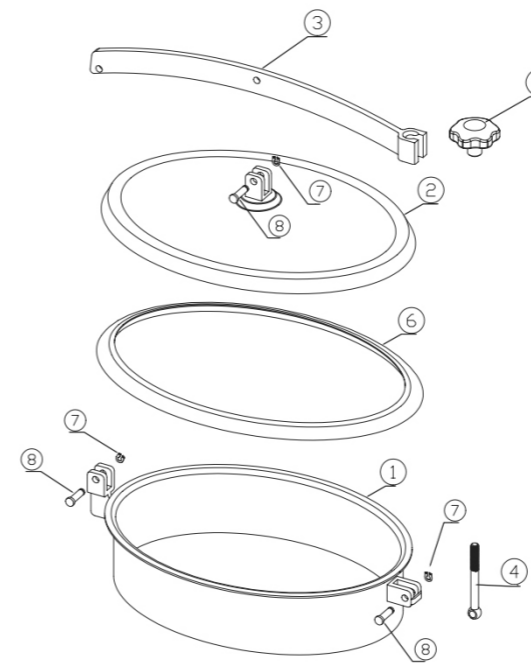
CODE	A	C	B	T	P.MAX
	mm	mm	mm	mm	bar
420	414×294	3	100	2.5	0.1

IF YOU WANT TO CHECK FOR MORE DETAILS  
PLEASE CHECK THE FOLLOWING DRAWING

\*1BAR = 14.5PSI=0.1MPA



#### Parts Drawing



Item	Description	Material	Qty
1	Frame	1.4301/1.4404	1
2	Cover	1.4301/1.4404	1
3	Bracket	T304	1
4	Swing bolt	T304	1
5	Handle	Plastic/T304	1
6	Gasket	Silicon	1
7	Lock ring	T304	3
8	Pin	T304	3

Cover & Frame Range	
Cover Thickness	Frame/Neck Height
2.5mm	80mm (3.15")
3.0mm	100mm (3.94")
	120mm (4.72")
	150mm (5.91")
	200mm (7.76")

Note: Longer heights are also available.



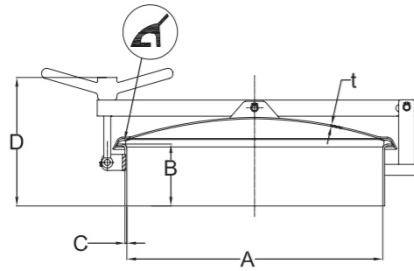
### Stainless Steel Oval Manway Door XK GK-9021

STANDARD SIZE/\* At temperature 50°C /122 °F

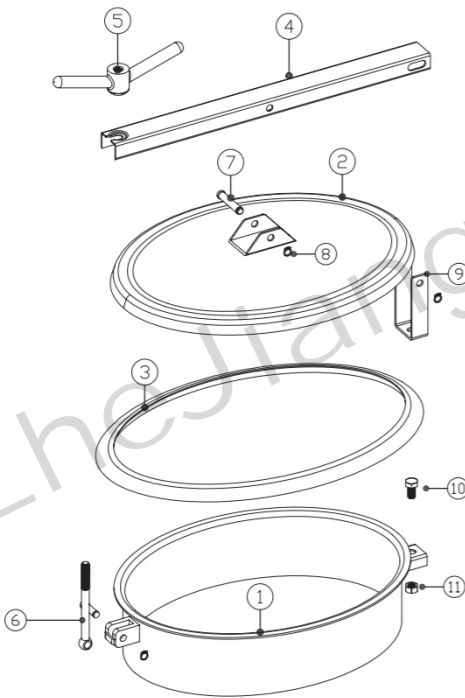
CODE	A	C	B	T	P.MAX
	mm	mm	mm	mm	bar
420	414×294	3	100	3.0	0.1

IF YOU WANT TO CHECK FOR MORE DETAILS  
PLEASE CHECK THE FOLLOWING DRAWING

\*1BAR =14.5PSI=0.1MPA



#### Parts Drawing



Item	Description	Material	Qty
1	Frame	1.4301/1.4404	1
2	Cover	1.4301/1.4404	1
3	Gasket	Silicon	1
4	Bracket	T304	1
5	Handle	T304	1
6	Swing bolt	T304	1
7	Pin	T304	2
8	Lock ring	T304	2
9	Back hinge support	T304	1
10	Screw	T304	1
11	Nut	T304	1

Cover & Frame Range	
Cover Thickness	Frame/Neck Height
2.5mm	80mm (3.15")
3.0mm	100mm (3.94")
	120mm (4.72")
	150mm (5.91")
	200mm (7.76")

Note: Longer heights are also available.

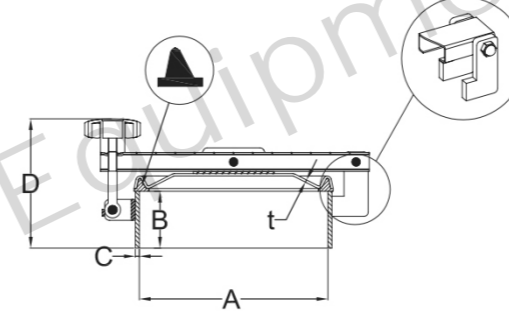
### Sanitary Rectangular Manways XK GK-9022

STANDARD SIZE/\* At temperature 50°C /122 °F

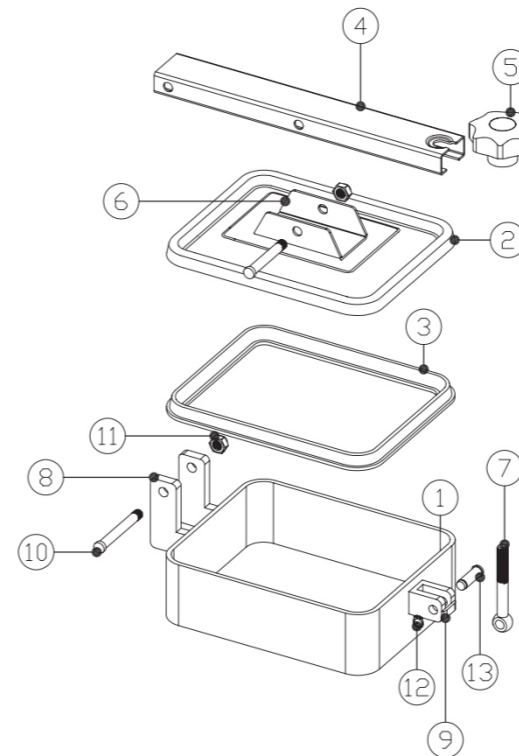
CODE	A	C	B	T	P.MAX
	mm	mm	mm	mm	bar
235	225×175	5.0	70	3.0	0.7

IF YOU WANT TO CHECK FOR MORE DETAILS  
PLEASE CHECK THE FOLLOWING DRAWING

\*1BAR =14.5PSI=0.1MPA



#### Parts Drawing



Item	Description	Material	Qty
1	Frame	1.4301/1.4404	1
2	Cover	1.4301/1.4404	1
3	Gasket	Silicon	1
4	Bracket	T304	1
5	Handle	Plastic/T304	1
6	Up hinge support	T304	1
7	Swing bolt	T304	1
8	Back hinge support	T304	1
9	Front hinge support	T304	1
10	Screw	T304	1
11	Nut	T304	2
12	Lock ring	T304	1
13	Pin	T304	1

Cover & Frame Range	
Cover Thickness	Frame/Neck Height
2.0mm	70mm (2.75")
2.5mm	100mm (3.94")
3.0mm	120mm (4.72")

Note: Longer heights are also available.

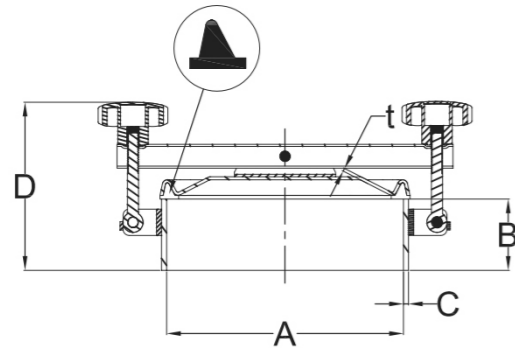
### Stainless Steel Rectangular Manways XKGGK-9023

STANDARD SIZE/\* At temperature 50°C /122 °F

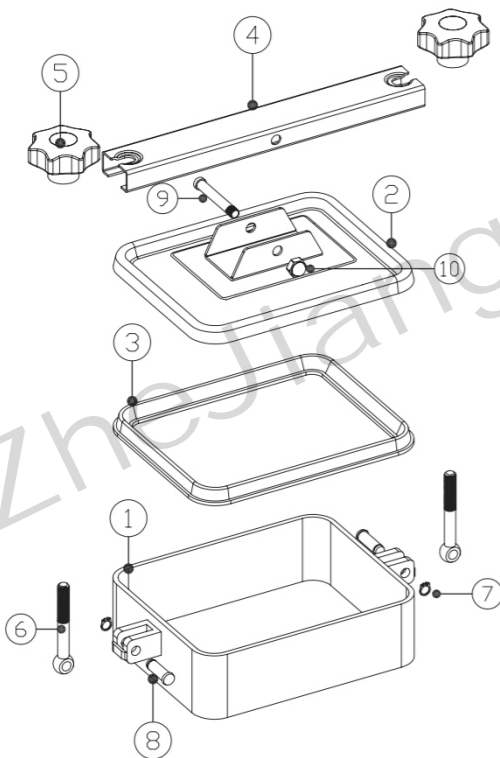
CODE	A	C	B	T	P.MAX
	mm	mm	mm	mm	bar
235	225×175	5.0	70	3.0	0.7

IF YOU WANT TO CHECK FOR MORE DETAILS  
PLEASE CHECK THE FOLLOWING DRAWING

\*1BAR = 14.5PSI=0.1MPA



#### Parts Drawing



Item	Description	Material	Qty
1	Frame	1.4301/1.4404	1
2	Cover	1.4301/1.4404	1
3	Gasket	Silicon	1
4	Bracket	T304	1
5	Handle	Plastic/T304	2
6	Swing bolt	T304	2
7	Lock ring	T304	2
8	Pin	T304	2
9	Screw	T304	1
10	Nut	T304	1

Cover & Frame Range	
Cover Thickness	Frame/Neck Height
2.0mm	70mm (2.75")
2.5mm	100mm (3.94")
3.0mm	120mm (4.72")

Note: Longer heights are also available.

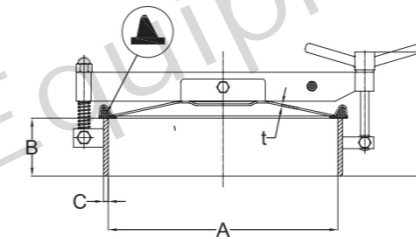
### Stainless Steel Rectangular Manway XKGGK-9024

STANDARD SIZE/\* At temperature 50°C /122 °F

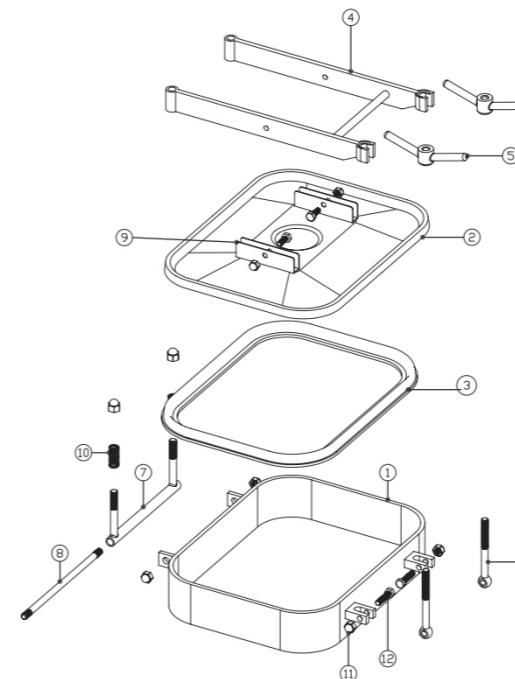
CODE	A	C	B	T	P.MAX
	mm	mm	mm	mm	bar
435	419×319	8.0	100	3.0	0.7
535	519×399	8.0	100	3.0	0.3
700	676×476	12.0	100	4.0	0.1

IF YOU WANT TO CHECK FOR MORE DETAILS  
PLEASE CHECK THE FOLLOWING DRAWING

\*1BAR = 14.5PSI=0.1MPA



#### Parts Drawing



Item	Description	Material	Qty
1	Frame	1.4301/1.4404	1
2	Cover	1.4301/1.4404	1
3	Gasket	Silicon	1
4	Bracket	T304	1
5	Top Nut	T304	2
6	Swing bolt	T304	2
7	Screw	T304	1
8	Screw	T304	1
9	Up hinge support	T304	2
10	Spring	T304	2
11	Nut	T304	8
12	Screw	T304	4

Cover & Frame Range	
Cover Thickness	Frame/Neck Height
2.0mm	70mm (2.75")
2.5mm	100mm (3.94")
3.0mm	120mm (4.72")

Note: Longer heights are also available.



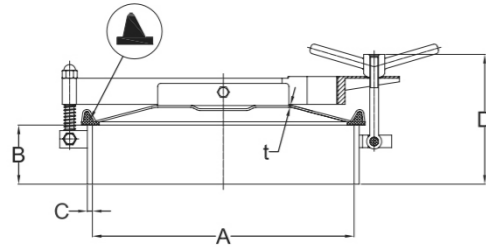
**Stainless Steel Rectangular Manlids XKGGK-9025**

STANDARD SIZE/\* At temperature 50°C / 122 °F

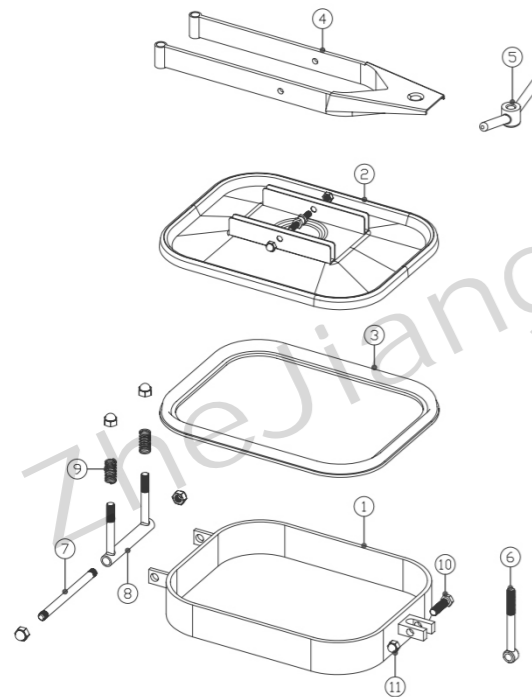
CODE	A	C	B	T	P.MAX
	mm	mm	mm	mm	bar
435	419×319	8.0	70	3.0	0.6
535	519×399	8.0	100	3.0	0.25
700	676×476	12.0	100	4.0	0.1

IF YOU WANT TO CHECK FOR MORE DETAILS  
PLEASE CHECK THE FOLLOWING DRAWING

\*1BAR = 14.5PSI=0.1MPA



**Parts Drawing**



Item	Description	Material	Qty
1	Frame	1.4301/1.4404	1
2	Cover	1.4301/1.4404	1
3	Gasket	Silicon	1
4	Arm	T304	1
5	Top Nut	T304	1
6	Swing bolt	T304	1
7	Screw	T304	1
8	Back hinge support	T304	1
9	Spring	T304	2
10	Screw	T304	3
11	Nut	T304	7

Cover & Frame Range	
Cover Thickness	Frame/Neck Height
2.0mm	70mm (2.75")
2.5mm	100mm (3.94")
3.0mm	120mm (4.72")

Note: Longer heights are also available.

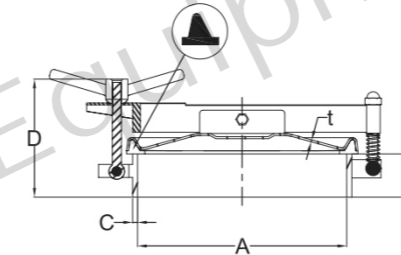
**Sanitary Rectangular Manlids XKGGK-9026**

STANDARD SIZE/\* At temperature 50°C / 122 °F

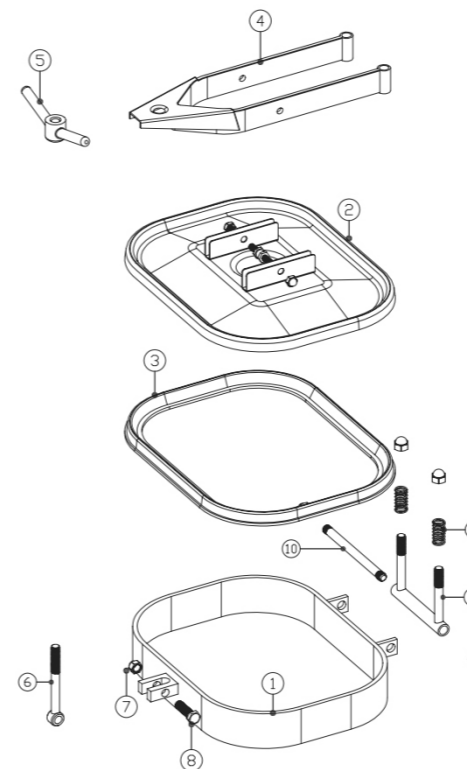
CODE	A	C	B	T	P.MAX
	mm	mm	mm	mm	bar
435	419×319	8.0	70	3.0	0.6
535	519×399	8.0	100	3.0	0.25
700	676×476	12.0	100	4.0	0.1

IF YOU WANT TO CHECK FOR MORE DETAILS  
PLEASE CHECK THE FOLLOWING DRAWING

\*1BAR = 14.5PSI=0.1MPA



**Parts Drawing**



Item	Description	Material	Qty
1	Frame	1.4301/1.4404	1
2	Cover	1.4301/1.4404	1
3	Gasket	Silicon	1
4	Arm	T304	1
5	Top Nut	T304	1
6	Swing bolt	T304	2
7	Nut	T304	7
8	Screw	T304	3
9	Back hinge support	T304	1
10	Screw	T304	1
11	Spring	T304	2

Cover & Frame Range	
Cover Thickness	Frame/Neck Height
2.0mm	70mm (2.75")
2.5mm	100mm (3.94")
3.0mm	120mm (4.72")

Note: Longer heights are also available.

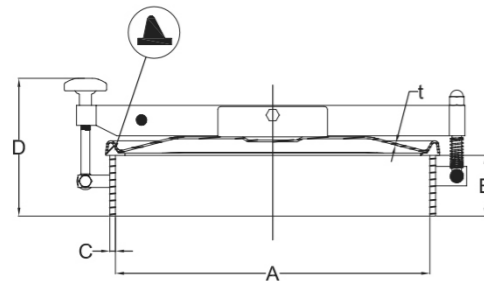
**Sanitary Rectangular Manway Door XK GK-9027**

STANDARD SIZE/\* At temperature 50°C /122 °F

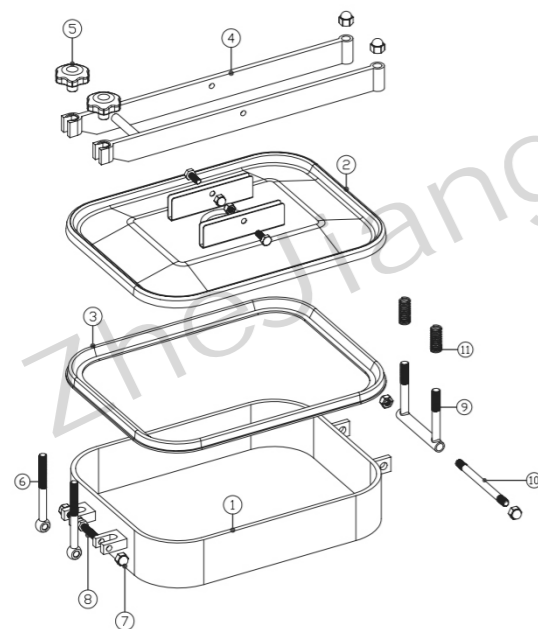
CODE	A	C	B	T	P.MAX
	mm	mm	mm	mm	bar
435	419×319	8.0	70	3.0	0.6
535	519×399	8.0	100	3.0	0.25
700	676×476	12.0	100	4.0	0.1

IF YOU WANT TO CHECK FOR MORE DETAILS  
PLEASE CHECK THE FOLLOWING DRAWING

\*1BAR =14.5PSI=0.1MPA



**Parts Drawing**



Item	Description	Material	Qty
1	Frame	1.4301/1.4404	1
2	Cover	1.4301/1.4404	1
3	Gasket	Silicon	1
4	Arm	T304	1
5	Handle	T304	2
6	Swing bolt	T304	2
7	Nut	T304	8
8	Screw	T304	4
9	Back hinge support	T304	2
10	Screw	T304	1
11	Spring	T304	2

Cover & Frame Range	
Cover Thickness	Frame/Neck Height
2.0mm	70mm (2.75")
2.5mm	100mm (3.94")
3.0mm	120mm (4.72")

Note: Longer heights are also available.

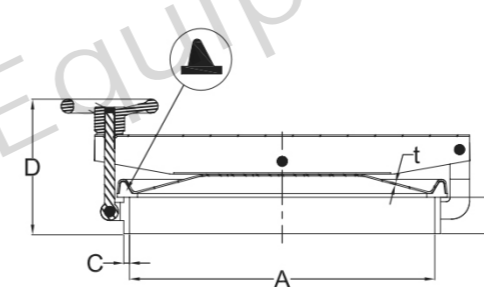
**Stainless Steel Rectangular Manway Lids XK GK-9028**

STANDARD SIZE/\* At temperature 50°C /122 °F

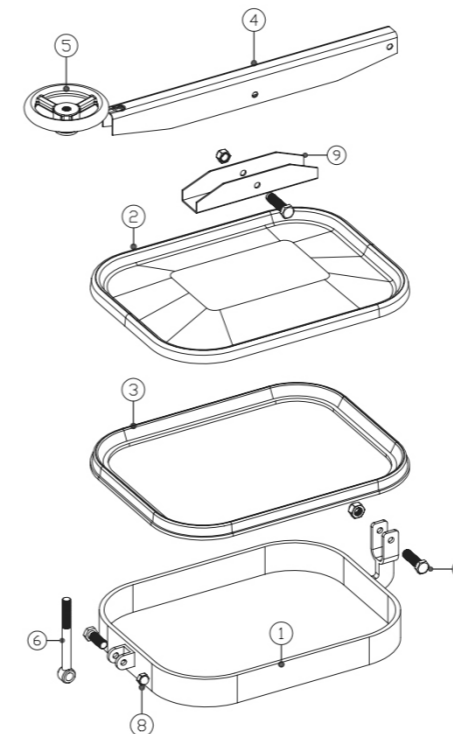
CODE	A	C	B	T	P.MAX
	mm	mm	mm	mm	bar
435	419×319	8.0	70	3.0	0.4
535	519×399	8.0	100	3.0	0.2
700	676×476	12.0	100	4.0	0.1

IF YOU WANT TO CHECK FOR MORE DETAILS  
PLEASE CHECK THE FOLLOWING DRAWING

\*1BAR =14.5PSI=0.1MPA



**Parts Drawing**



Item	Description	Material	Qty
1	Frame	1.4301/1.4404	1
2	Cover	1.4301/1.4404	1
3	Gasket	Silicon	1
4	Arm	T304	1
5	Hand wheel	T304	1
6	Swing bolt	T304	1
7	Screw	T304	3
8	Nut	T304	3
9	Up hinge support	T304	1

Cover & Frame Range	
Cover Thickness	Frame/Neck Height
2.0mm	70mm (2.75")
2.5mm	100mm (3.94")
3.0mm	120mm (4.72")

Note: Longer heights are also available.



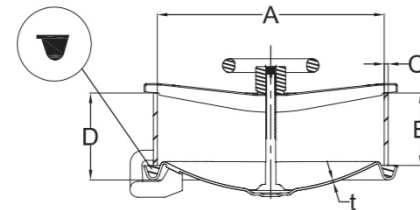
**+** Rectangular Manwaydoor inwards opening XKGGK-9029

STANDARD SIZE/\* At temperature 50°C /122 °F

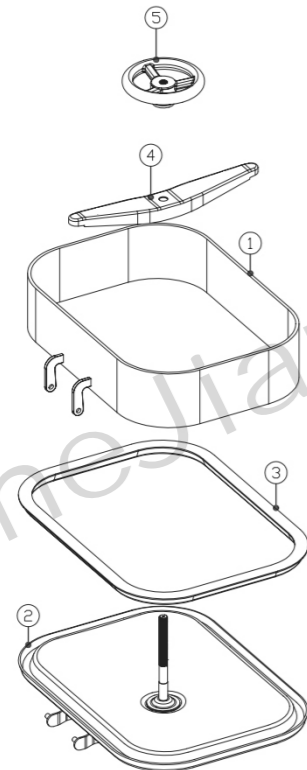
CODE	A	C	B	T	P.MAX
	mm	mm	mm	mm	bar
435	419×319	8.0	70	3.0	1.0
535	519×399	8.0	70	3.0	0.7

IF YOU WANT TO CHECK FOR MORE DETAILS  
PLEASE CHECK THE FOLLOWING DRAWING

\*1BAR = 14.5PSI=0.1MPA



**Parts Drawing**



Item	Description	Material	Qty
1	Frame	1.4301/1.4404	1
2	Cover	1.4301/1.4404	1
3	Gasket	Silicon	1
4	Toggle	T304	1
5	Hand wheel	Plastic/T304	1

Cover & Frame Range	
Cover Thickness	Frame/Neck Height
2.0mm	60mm (2.36")
2.5mm	100mm (3.94")
3.0mm	120mm (4.72")

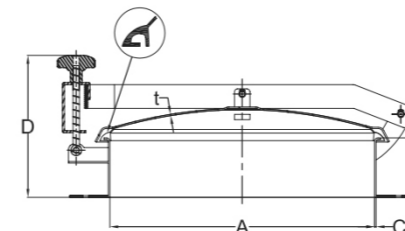
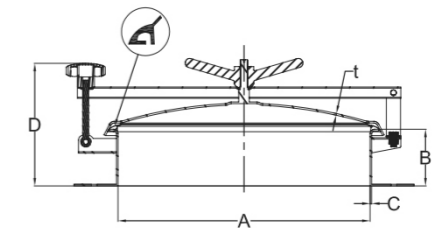
Note: Longer heights are also available.

**+** Round manhole cover with back-side opening XKGGK-9030

STANDARD SIZE/\* At temperature 50°C /122 °F

CODE	A	OD×C	B	T	P.MAX
	mm	mm	mm	mm	bar
219	214	219×3.0	100	2.0	0.2
300	294	300×3.0	100	2.5	0.18
350	344	350×3.0	100	2.5	0.15
400	394	400×3.0	100	2.5	0.12
430	424	430×3.0	100	2.5	0.1
450	444	450×3.0	100	2.5	0.1
500	494	500×3.0	100	2.5	0
600	594	600×3.0	100	2.5	0

\*1BAR = 14.5PSI=0.1MPA



STANDARD SIZE/\* At temperature 50°C /122 °F

CODE	A	OD×C	B	T	P.MAX
	mm	mm	mm	mm	bar
219	214	219×3.0	100	2.0	0.3
300	294	300×3.0	100	2.5	0.22
350	344	350×3.0	100	2.5	0.18
400	394	400×3.0	100	2.5	0.16
430	424	430×3.0	100	2.5	0.15
450	444	450×3.0	100	2.5	0.12
500	494	500×3.0	100	2.5	0.1
600	594	600×3.0	100	2.5	0

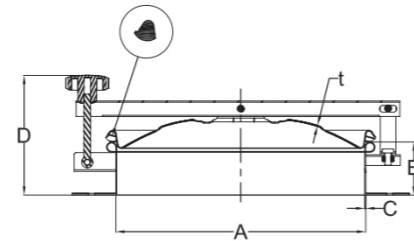
\*1BAR = 14.5PSI=0.1MPA

⊕ Round manhole cover with back-side opening XKGGK-9031

STANDARD SIZE/\* At temperature 50°C /122 °F

CODE	A	OD×C	B	T	P.MAX
	mm	mm	mm	mm	bar
350	346	350×2.0	85	2.0	0.3
400	396	400×2.0	85	2.0	0.2
430	426	430×2.0	85	2.0	0.15
450	446	450×2.0	85	2.0	0.12
500	496	500×2.0	85	2.0	0.07
600	596	600×2.0	85	2.0	0

\*1BAR = 14.5PSI=0.1MPA

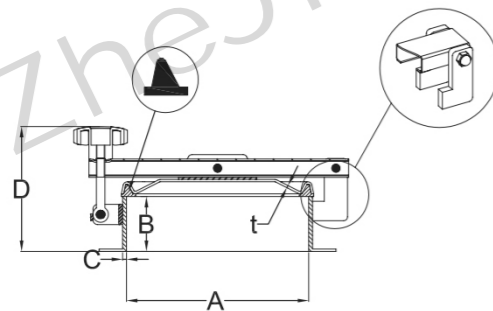


⊕ Rectangular Manwaydoor opening outwards XKGGK-9032

STANDARD SIZE/\* At temperature 50°C /122 °F

CODE	A	C	B	T	P.MAX
	mm	mm	mm	mm	bar
235	225×175	5.0	70	3.0	0.7

\*1BAR = 14.5PSI=0.1MPA

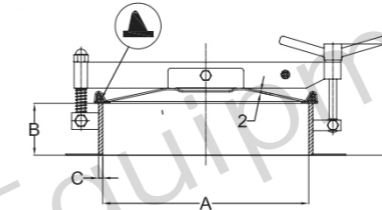


⊕ Rectangular Manwaydoor opening outwards XKGGK-9033

STANDARD SIZE/\* At temperature 50°C /122 °F

CODE	A	C	B	T	P.MAX
	mm	mm	mm	mm	bar
435	419×319	8.0	100	3.0	0.7
535	519×399	8.0	100	3.0	0.3
700	676×476	12.0	100	4.0	0.1

\*1BAR = 14.5PSI=0.1MPA

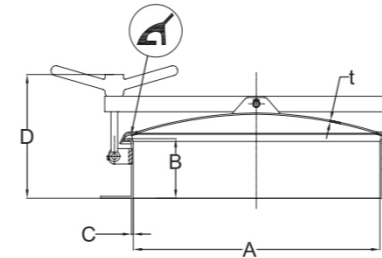


⊕ Ovar Manwaydoor outwards opening XKGGK-9034

STANDARD SIZE/\* At temperature 50°C /122 °F

CODE	A	C	B	T	P.MAX
	mm	mm	mm	mm	bar
420	414×294	3	100	3.0	0.1

\*1BAR = 14.5PSI=0.1MPA



⊕ Ovar Manwaydoor outwards opening XKGGK-9035

STANDARD SIZE/\* At temperature 50°C /122 °F

CODE	A	C	B	T	P.MAX
	mm	mm	mm	mm	bar
458	446×311	6	80	3.0	1.5

IF YOU WANT TO CHECK THE MORE DETAILS  
PLEASE CHECK THE FOLLOWING DRAWING

\*1BAR = 14.5PSI=0.1MPA

