



Address:
No2469. Binhai Sixth Road,
Economic-Technological Development Area,
Wenzhou,China

Post Code:325000

Tel:+86-0577-88056888
Max:+86-0577-88056999

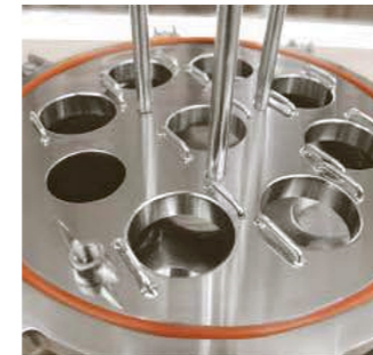
Copyright©2017 XK GK

XK GK Products Services
please visit and contact us:
www.zjxkgk.cc

Technical Support
Tel:+86-13656518258
Email:jay@zjxkgk.cc

Service,Sales
Tel:+86-18858717208
Email:echo@zjxkgk.cc

Dealer Management
Tel:+86-13868510768
Email:lana@zjxkgk.cc



www.zjxkgk.cc

ZheJiang Hico Industrial Equipment Co.,Ltd

Professional sanitary valves&fittings supplier,supply and marketing worldwide

Sanitary Strainer

XKKGK brand Move forward with Quality



Zhejiang Hico Industrial Equipment Co.,Ltd is a design development,manufacturing and sales Service company,we are a professional valve fittings suppliers,we had over 25 year design, Sales and manufacturing experience .

Zhejiang Hico industry located in the" China Valve City" ,Wenzhou City. Binhai Industry Zone, Where is the most biggest Industry Zone in Wenzhou.

Hico specializes in designing, producing and selling high-precision sanitary valve, butterfly valves, Diaphragm valve, check valves, sample valve,sanitary fittings, sanitary unions, tri-clamp unions, elbows, tees and all kinds of valves and pipeline connectors. They are widely used in food, beverage, pharmaceutical, bio engineering, water treatment, and other industries.

All of our products are strictly designed and manufactured according to international standards, such as DIN, SMS, 3A, IDF, ISO and RJT. The quality meets the full requirements of GMP, ISO9001 and CE safety standards. Our products are well recognized by clients in Europe, South America, North America, Southeast Asia, the Middle East countries and so on.

Honestly, quality and development are our company culture. HICO people always perfectly combine the high-quality materials, sophisticated designs, strict manufacture process with a quality assurance system, and try our best to offer the best and high-quality products to our customers.

How XKKGK manufacture" Strainer "

Application:

Filter series is a kind of sanitary filter, mainly used for filtering liquid with solid particles, protect the pump, instruments and other devices to work properly. Because of its reasonable structured, filtration and seal ability strong, pressure loss of small and easy maintenance and other characteristics, widely used in wine, beverage, pharmaceutical, etc.

Work Principle:

When with lafter solid particles or impurity of media through the filter, these laFTER solid particles and impurities will be filtered and stay in certain specification filter inside, thus preventing the solid particles and impurities into subsequent pipes, filtered medium cfuteion by export outflow, achieve the requirement.

Standard Design

XKKGK can provide Y type filter, welding and thread, clamp etc connection mode through filters. When filter need cleaning or filter damage: Y type filter only take down by any joint, remove filter core, it can be cleaned or change, Welding straight-through filters that need to be removed, then remove cores, clean or replace, reinstall the prouduct can be used.

Sanitary Strainer



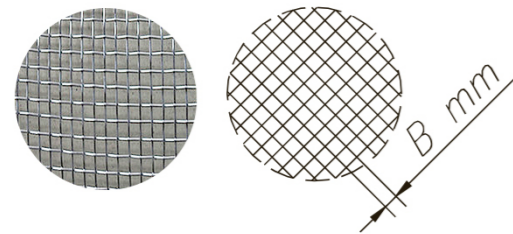
Material:

Steel parts: 304 or 316L
 Seal: EPDM (with standard) or NBR (optional)

Technical parameter:

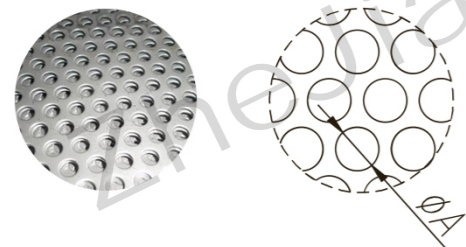
Work pressure: 0~10 bar
 Work temperature: -20~ +135 °C (EPDM as seal)
 Temperature range: -10°C to 250°C

Screen: Metal Mesh



Mesh	B (mm)	Useful surface (%)
30	0.55	48
40	0.40	46
60	0.30	52.6
80	0.20	42
100	0.15	36.2
165	0.10	45.4

Screen: Perforated Plate

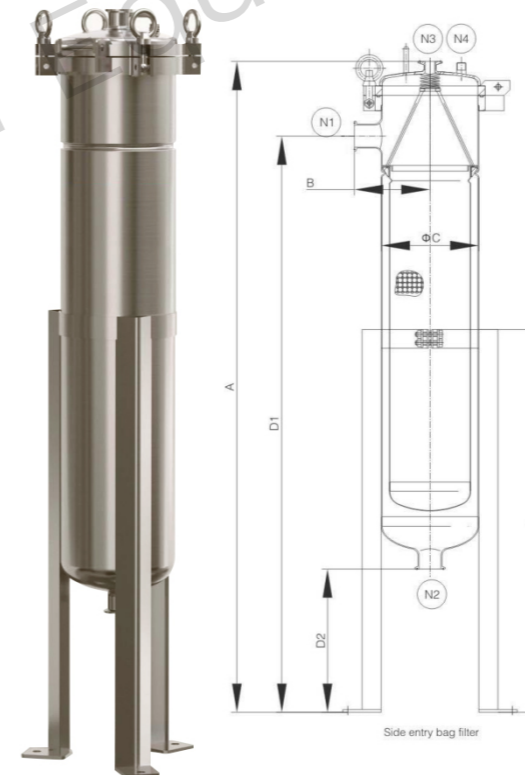


A(mm)	Useful surface (%)
0.5	15
1	28
1.5	33
2	30
3	33
5	46

+ Side Entry Bag Filter

- ◆ Usage: for Built-in Filter Tank
- ◆ Installation: Built-in Filter
- ◆ Filtering Level: Five Stage Filter

- ◆ Feature: Front
- ◆ Type: Washing Strainer
- ◆ Flow: Common



Connection

Connection of shell	Flange
N1, N2 In-outlet	Flange, Tri-clamp, Thread
N3 Pressure gauge (option)	1.5" Tri-clamp (1#Bag/2#Bag) M14 x 1.5 Female thread (3#Bag/4#Bag)
N4 Vent valve (option)	1/4" Male thread

Surface Finish

Finish type	Mechanical / Electrolytical polishing Sand blasting
Polishing precision	0.6 μm Inner surface Ra ≤ 0.6 μm 0.8 μm Outside surface Ra ≤ 0.8 μm 0.6 μm Basket 0.6 μm

Dimension Parameters

	Mold cover		Cover	
	1#bag	2#bag	3#bag	4#bag
A: Total height	990	1365	525	635
B: The distance from inlet to center	147		92	
C: Shell diameter	Φ204	Φ204	Φ114	Φ114
D1: The height from inlet to ground	835	1205	445	555
D2: The height from outlet to ground	250		300	
In-outlet N1, N2 Size	1.5"或2"		1"或1.5"	
E: Stabilizer blade	500	800	300	400
Max flow m ³ /h	20	40	6	12

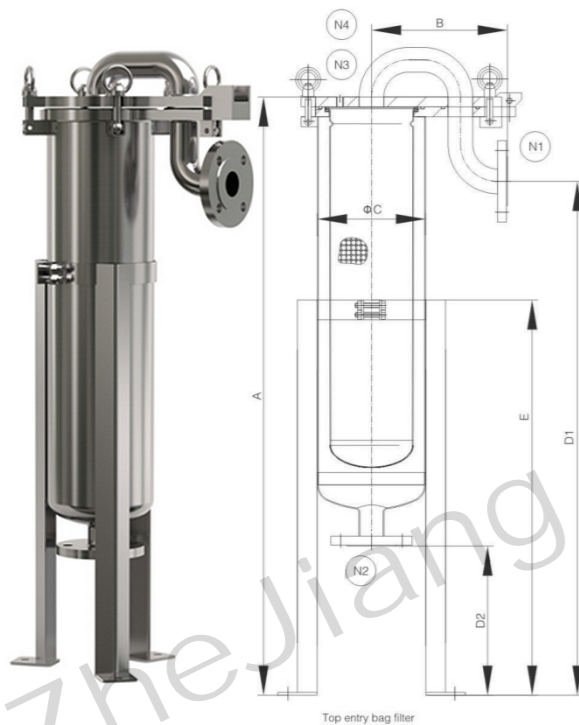
The above-mentioned data is the standard, it can customize according to customer's requirements.

Selection Table

[Qty. of Bag Filter]	[Model of Bag Filter]	[Shell Material]	[In-outlet connection]	[O-ring]
1P	2S	4	F	E
1P=1 Pc	1S=1 #Bag; Φ180 x 430	4= 304	F= Flange	E= EPDM
	2S=2 #Bag; Φ180x 810	6= 316L	K= Tri-clamp	P= PTFE
	3S=3 #Bag; Φ105 x 230		L= Thread	V= Viton
	4S=4 #Bag; Φ105x 380			S= Silicone

+ Top Entry Bag Filter

- ◆ Feature: Front
- ◆ Type: Washing Strainer
- ◆ Flow: Common
- ◆ Usage: for Built-in Filter Tank
- ◆ Filtering Level: Five Stage Filter
- ◆ Installation: Built-in Filter



Connection

Connection of shell	Flange
N1, N2 In-outlet	Flange, Tri-clamp, Thread
N3 Pressure gauge (option)	M14 x 1.5 M14 x 1.5 Female thread (3#Bag /4#Bag)
N4 Vent valve (option)	1/4" Male thread

Surface Finish

Finish type	Mechanical / Electrolytical polishing Sand blasting
Polishing precision	0.6 μm Inner surface Ra ≤ 0.6 μm 0.8 μm Outside surface Ra ≤ 0.8 μm 0.6 μm Basket 0.6 μm

Dimension Parameters

	Cover	
	1#bag	2#bag
A: Total height	790	1110
B: The distance from inlet to center	275	
C: Shell diameter	Φ204	Φ204
D1: The height from inlet to ground	620	940
D2: The height from outlet to ground	200	
In-outlet N1, N2 Size	1.5"或2"	
E: Stabilizer blade	550	700
Max flow m ³ /h	20	40

The above-mentioned data is the standard, it can customize according to customer's requirements.

Selection Table

[Qty. of Bag Filter]	[Model of Bag Filter]	[Shell Material]	[In-outlet connection]	[O-ring]
1P	2S	4	F	E
1P=1 Pc	1S=1 #Bag: Φ180 x 430 2S=2 #Bag: Φ180 x 810 3S=3 #Bag: Φ105 x 230 4S=4 #Bag: Φ105 x 380	4= 304 6= 316L	F= Flange K= Tri-clamp L= Thread	E= EPDM P= PTFE V= Viton S= Silicone

+ Top Entry Bag Filter

XKGGK Multi bags filter, for some coarse filtration and pre-filtration process. XKGGK Standard No. 01 bag or 02 bag, the standard model for 2 ~ 12 bags, and the maximum production customized to 24 bags can basically meet the requirements of various types of flow.

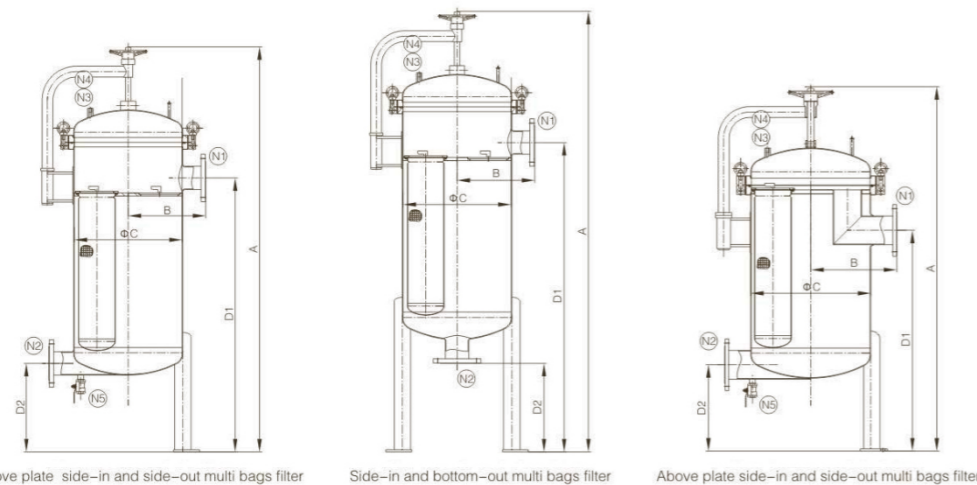
Feature:

- ◆ Large flow, Long service life.
- ◆ The unique three-point clamp device ensures good sealing and avoid liquid side leakage
- ◆ The filter housing can add swing arm and the eyebolt or quick-open design, operating conveniently and economically.
- ◆ Food and beverage; bio engineering and pharmaceutical; petrochemical and chemical; automobile manufacturing; petroleum and natural gas; electronic and natural gas; coating, paint, printing ink; nuclear power and thermal power and waste water filtration; liquid and gas purification of liquid and gas.

Application

- ◆ Compact design can reduce occupied space and the loss of liquid.
- ◆ Side entry and bottom out ensure that liquid medium can be completely discharged, the tangential position outlet, discharging pollution thoroughly, is convenient to be operating.





Operating Conditions

Max operating pressure	1.0MPa
Max operating temperature	150°C

Surface Finish

Finish type	Mechanical / Electrolytical polishing Sand blasting
Polishing precision	0.6 μm Inner surface Ra ≤ 0.6 μm 0.8 μm Outside surface Ra ≤ 0.8 μm 0.6 μm Basket 0.6 μm

Material

Shell	304, 316L
Eyebolt	304
Stabilizer blade	304
O-ring	EPDM, PTFE, Viton, Silicone

Connection

Connection of shell	Flange
N1, N2 In-outlet	Flange, Tri-clamp, Thread
N3 Pressure gauge (option)	1/2" Female thread
N4 Vent valve (option)	1/2" Male thread
N5 Drain valve (option)	1/2" Male thread

Dimension Parameters

	2P2S		4P2S		6P2S	
	花板上侧进底出	花板下侧进侧出	花板上侧进底出	花板下侧进侧出	花板上侧进底出	花板下侧进侧出
A: Total height (表)	1880	1530	2030	1600	2130	1700
B: The distance from inlet to center	300		360	400	440	450
C: Shell diameter	Φ400		Φ500		Φ650	
D1: The height from inlet to ground	1330	950	1425	975	1480	1000
D2: The height from outlet to ground	300		400	350	400	
N1, N2, In-outlet N1, N2 size	4"		4"		5"	

The above-mentioned data is the standard, it can customize according to customer's requirements.

Selection Table

[Qty. of Bag Filter]		[Model of Bag Filter]	[Shell Material]	[In-outlet connection]	[O-ring]
3P		2S	4	F	E
2P=2 Pc	7P=7 Pc	1S=1#Bag; Φ180 x 430	4= 304	F= Flange	E= EPDM
3P=3 Pc	9P=9 Pc	2S=1#Bag; Φ180 x 810	6= 316L	K= Tri-clamp	P= PTFE
4P=4 Pc	12P=12 Pc			L= Thread	V= Viton
6P=6 Pc					S= Silicone

+ Single Fluid Sanitary Filter Housing

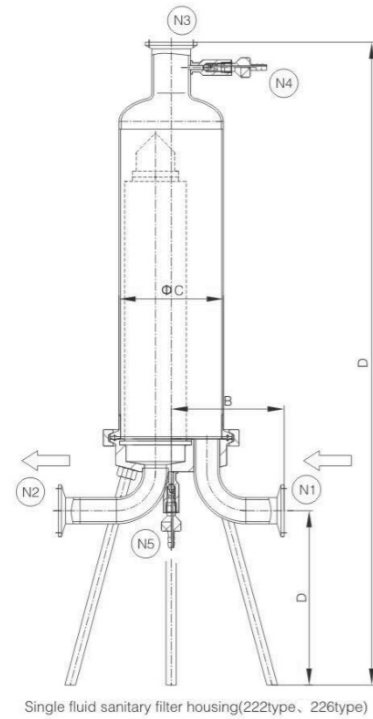
XK GK Single Fluid Sanitary Filter is high quality sanitary grade filter which service for small flow rate.

XK GK Single Fluid Sanitary Filter have excellent surface treatment and the maximal corrosion-resistant in order to prevent the bacterial contamination. The unique structure of the sanitary filter housing ensures inside and outside surface have no dead corner and conforms to the requirements of GMP, The filter housing can be completely disassembled and washed, easy to operate.

Feature:

- ◆ The high level of Polishing, inner surface $\leq 0.3 \mu m$ Ra, outside surface can meet $0.4 \mu m$. It is absolute hygienic level polishing
- ◆ Using strong Quick-open design, the highest operate pressure up to 1.0MPa
- ◆ Special vent valve and drain valve: thread sleeve and the tower joint keep separate, the connect hose can not rotate during pressure release and fluid discharge
- ◆ The legs of filter using strengthening screws not easy to slide, more durable; the bottom of the legs can install adjusting screws and can adjust the height of the filter. It is convenient to use.





Operating Conditions

Max operating pressure	0.6MPa, 1.0MPa
Max operating temperature	150°C
Disinfect	Online or steam sterilization; 121°C/30min

Material

Shell	304, 316L
Vent/ Drain valve	304
Quick-open, Stabilizer blade	304
O-ring	EPDM, PTFE, Viton, Silicone

Connection

Connection of shell	Tri-clamp
N1, N2 In-outlet	Tri-clamp
N3 Pressure gauge (option)	1.5" Tri-clamp
N4 Vent valve (option)	M6 Thread
N5 Drain valve (option)	M6 Thread
Cartridges connection	222type, 226type

Surface Finish

Finish type	Mechanical / Electrolytical polishing Sand blasting
Polishing precision	0.3 μm Inner surface Ra≤0.3 μm 0.4 μm Outside surface Ra≤0.4 μm

Dimension Parameters

		1Pc		
A: Total height	10'	10'	10'	10'
B: The distance from inlet to center	625	625	625	625
C: Shell diameter				Φ101.6
D: N1, N2 The height from in-outlet to ground				170
In-outlet N1, N2 Size				1"

The above-mentioned data is the standard, it can customize according to customer's requirements.

Selection Table

[Qty. of Bag Filter]	[Model of Bag Filter]	[Cartridges connection]	[Shell Material]	[In-outlet connection]	[O-ring]
1R	20	S	4	K	E
1R=1Pc	10=10" Cartridge	S=226 Type	4= 304	K= Tri-clamp	E= EPDM
	20=20" Cartridge	T=222 Type	6= 316L		P= PTFE
	30=30" Cartridge				V= Viton
	40=40" Cartridge				S= Silicone

+ Multi Fluid Sanitary Filter

XKGGK Multi Fluid Sanitary Filter can meet requirement of medium & small flow rate.

The structure design and manufacture in accordance with the sanitary grade. It's no dead corner, meet "GMP" standard, easy to clean, drain thoroughly, no residual liquid.

For the application of some very harsh cleaning, the filter plate made of detachable, full angle cleaning

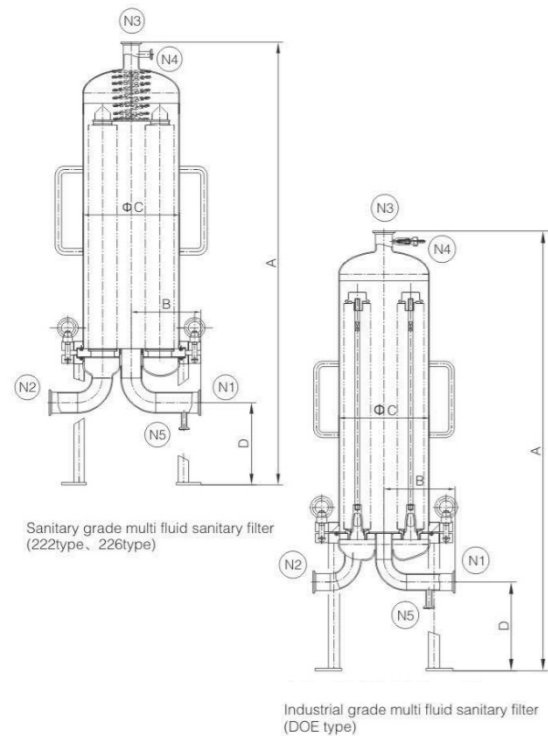
Feature:

- ◆ The ultra high level of polishing, the inner surface polished to 0.3um Ra, the outer surface to reach 0.4um, the absolute hygienic level polishing.
- ◆ The vent valve can choose quick-open, can completely disassembled and no dead corner of cleaning.
- ◆ Small specification filter installation adjusting nut at the bottom of the Stabilizer blade, can adjust the height of the filter, easy to use

Application

- ◆ Pharmaceutical industry:
all kinds of antibiotics and other liquid filtration.
- ◆ Food and beverage industry:
wine, mineral water, drinking water filtration.





Operating Conditions

Max operating pressure	0.6MPa, 1.0MPa
Max operating temperature	150°C
Disinfect(sanitation)	Online or steam sterilization: 121°C/30min

Material

Shell	304, 316L
Vent/ Drain valve	304, 316L
Eyebolt	304
O-ring	EPDM, PTFE, Viton, Silicone

Connection

Connection of shell	Tri-clamp, Flange
N1, N2 In-outlet	Tri-clamp
N3 Pressure gauge (option)	1.5" Tri-clamp
N4 Vent valve (option)	1/2" Tri-clamp/M6 Thread
N5 Drain valve (option)	1/2" Tri-clamp
Cartridges connection	222type, 226 type (sanitation) DOE type (industrial-grade)

Surface Finish

Finish type	Mechanical / Electrolytical polishing Sand blasting
Polishing precision	0.3 μm Inner surface Ra≤0.3 μm 0.4 μm Outside surface Ra≤0.4 μm

Dimension Parameters

	3R(4R)				5R(6R)				7R(8R)			
	10°	20°	30°	40°	10°	20°	30°	40°	10°	20°	30°	40°
A: Total height	760	1010	1260	1510	780	1030	1280	1530	805	1055	1305	1555
B: The distance from inlet to center	160				160				200			
C: Shell diameter	Φ204				Φ235				Φ273			
D: The height from in-outlet N1, N2 to the ground	200				200				200			
In-outlet N1, N2 size	1.5"				2"				2.5"			

The above-mentioned data is the standard, it can customize according to customer's requirements.

Selection Table

[Qty. of Bag Filter]	[Model of Bag Filter]	[Cartridges connection]	[Shell Material]	[In-outlet connection]	[O-ring]
5R	20	S	4	K	E
3R=3 Pcs	10=10" Cartridge	S=226type (sanitary grade)	4= 304	K= Tri-clamp	E= EPDM
5R=5 Pcs	20=20" Cartridge	T=222type (sanitary grade)	6= 316L		P= PTFE
7R=7 Pcs	30=30" Cartridge	D=DOE (industrial grade)			V= Viton
9R=9 Pcs	40=40" Cartridge				S= Silicone
12R=12 Pcs					

+ Precision Liquid Filter

XKGGK Precision liquid filter is a large flow and multi cartridges sanitary liquid filter, can meet the requirements of different sizes of flow rate.

The structure design and manufacture is in accordance with the sanitary grade. There is no dead corner, meeting "GMP" standard. This product is easy to clean, draining thoroughly, no residual liquid.

For strict cleaning application, the filter face plate can be designed to be disassembled to achieve full angle cleaning

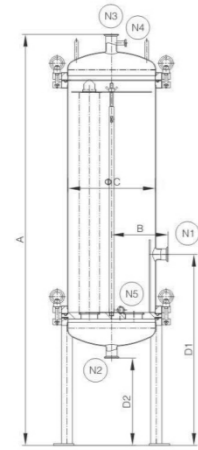
Feature:

- ◆ The ultra high level of polishing, the inner surface polished to 0.3μm Ra, the outer surface to reach 0.4μm, the absolute hygienic level polishing.
- ◆ Dealing with large flow, compact design saves space
- ◆ The design of side in bottom out ensures that the particles can be completely removed. At the same time, tangent outlet makes sewage discharged thoroughly, and workers operate easily.
- ◆ For more than 15 cartridges filter housing, the swing arm and eyebolt or quick open are optional design to operate easily. Also it is economical and

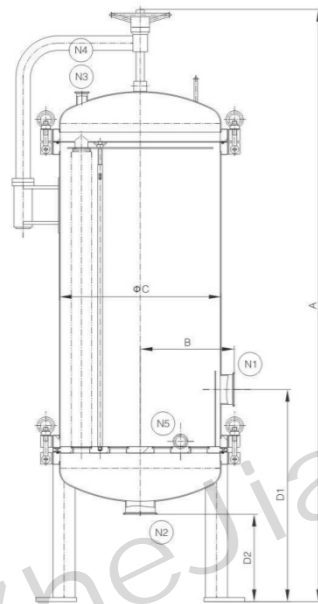
Application

- ◆ Pharmaceutical industry: all kinds of antibiotics and other liquid filtration.
- ◆ Food and beverage industry: wine, mineral water, drinking water filtration.





Precision Liquid Filter(cartridge quantity ≤ 12pcs)
Cartridge model 30(left picture)



With rotary precision liquid filter(cartridge quantity ≥ 15pcs)
Cartridge model 40(right picture)

Operating Conditions

Max operating pressure	0.6MPa、1.0MPa
Max operating temperature	150°C
Disinfect	Online or steam sterilization; 121°C/30min

Material

Shell	304、316L
Vent/ Drain valve	304、316L
Eyebolt	304
Stabilizer blade	304
O-ring	EPDM, PTFE, Viton, Silicone

Surface Finish

Finish type	Mechanical / Electrolytical polishing Sand blasting
Polishing precision	0.3 μm Inner surface Ra ≤ 0.3 μm 0.4 μm Outside surface Ra ≤ 0.4 μm

Connection

Connection of shell	Flange (Eyebolt)
N1、N2 In-outlet	Tri-clamp
N3 Pressure gauge (option)	1.5" Tri-clamp
N4 Vent valve (option)	1/2" Tri-clamp (less than 12pcs) 1.5" Tri-clamp (more than 15pcs)
N5 Drain valve (option)	1/2" Tri-clamp (3R) 3/4" Tri-clamp (5pcs to 12pcs) 1" Tri-clamp (more than 15pcs)
Cartridges connection	222type, 226type

Selection Table

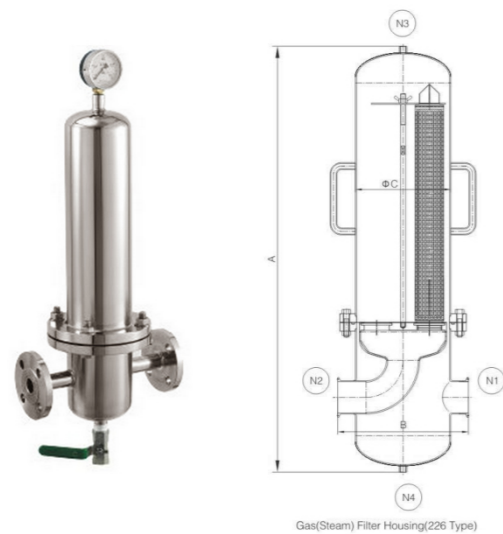
[Qty. of Bag Filter]		[Model of Bag Filter]	[Cartridges connection]	[Shell Material]	[In-outlet connection]	[O-ring]
12R		20	S	4	K	E
3R=3 Pcs	21R=21 Pcs	20=20" Cartridge	S=226 Type	4= 304	K= Tri-clamp	E=EPDM
5R=5 Pcs	24R=24 Pcs	30=30" Cartridge	T=222 Type	6= 316L		P= PTFE
7R=7 Pcs	36R=36 Pcs	40=40" Cartridge				V= Viton
8R=8 Pcs	42R=42 Pcs					S= Silicone
9R=9 Pcs	48R=48 Pcs					
12R=12 Pcs	56R=56 Pcs					
15R=15 Pcs						

Dimension Parameters

	3R(4R)			5R(6R)		
	20"	30"	40"	20"	30"	40"
A: Total height	1123	1373	1623	1145	1395	1645
B: The distance from inlet to center	142			165		
C: Shell diameter	Φ 204			Φ 250		
D1: The height from inlet to ground	540			660		
D2: The height from outlet to ground	300			300		
In-outlet N1、N2 size	1.5"/2"			1.5"/2"/2.5"		
	7R			8R		
	20"	30"	40"	20"	30"	40"
	1145	1395	1645	1170	1420	1670
	176.5			190		
	Φ 273			Φ 300		
	660			660		
	300			300		
	1.5"/2"/2.5"			1.5"/2"/2.5"/3"		
	9R(10R)			12R(11R)		
	20"	30"	40"	20"	30"	40"
	1170	1420	1670	1170	1420	1670
	202.5			215		
	Φ 325			Φ 350		
	660			660		
	300			300		
	1.5"/2"/2.5"/3"			1.5"/2"/2.5"/3"		
	15R(18R)	21R	24R(27R)	(36R)	(42R)	48R(54R)
	40"	40"	40"	40"	40"	40"
	1947	1959	2026	2036	2044	2067
	240	265	290	315	340	365
	Φ 400	Φ 450	Φ 500	Φ 550	Φ 600	Φ 650
	682	694	714	729	734	744
	300			300		
	3"/3.5"/4"			3"/3.5"/4"		

The above-mentioned data is the standard, it can customize according to customer's requirements.

+ Gas(Steam) Filter Housing



Operating Conditions

Max operating pressure	0.6MPa, 1.0MPa
Max operating temperature	150°C
Disinfect	Online or steam sterilization: 121°C/30min

Material

Shell	304, 316L
Drain valve	304, 316L
O-ring	EPDM, PTFE, Viton, Silicone

Connection

Connection of shell	Flange, Tri-clamp
N1, N2 In-outlet	Flange, Tri-clamp, Thread
N3 Pressure gauge (option)	M14x1.5 Thread(less than 3pcs) 1/2" Thread(less than 5pcs)
N4 Drain valve (option)	1/4" Thread
Cartridges connection	226 Type

Surface Finish

Finish type	Mechanical/electrolytical polishing
Polishing precision	0.3 μm Inner surface Ra≤0.6 μm 0.4 μm Outside surface Ra≤0.8 μm

Dimension Parameters

	1 R				3 R				5 R				9 R			
	10" Cartridge	20" Cartridge	30" Cartridge	40" Cartridge	10" Cartridge	20" Cartridge	30" Cartridge	40" Cartridge	10" Cartridge	20" Cartridge	30" Cartridge	40" Cartridge	10" Cartridge	20" Cartridge	30" Cartridge	40" Cartridge
A: Total height	550	800	1050	1300	696	946	1196	1446	728	978	1228	1478	835	1085	1335	1585
B: The distance from inlet to center	150(Tri-clamp)				270(Tri-clamp)				270(Tri-clamp)				395(Tri-clamp)			
C: Shell diameter	Φ101.6				Φ200				Φ219				Φ325			
In-outlet N1, N2 size	1"				3"				3"				4"			

The above-mentioned data is the standard, it can customize according to customer's requirements.

Selection Table

[Qty. of cartridges]	[Model of filter stacks]	[Shell material]	[In-outlet connection]	[O-ring]
5R	20	4	K	E
1R=1Pcs	10=10" Cartridge	4= 304	F= Flange	E= EPDM
3R=3Pcs	20=20" Cartridge	6= 316L	K= Tri-clamp	P= PTFE
5R=5Pcs	30=30" Cartridge		L= Screw thread	V= Viton
9R=9Pcs	40=40" Cartridge			S= Silicone
12R=12Pcs				

+ Duplex (multi) Strainer

Duplex (multi) Strainer is composed of two (more) stainless steel filters, can be customized according to the actual situation. It has many advantages, such as reasonable and novel structure, reliably sealing, good fluidity and easy and simple to handle etc. Also this Multipurpose filtering equipment has wide range of application and outstanding adaptation. Delivery pump can be assembled on the mobile cart, in order to move to any production line for filtering.

Duplex (multi) Strainer adopts quick-open connection or flange connection, design pressure are reached to 1.0Mpa.



Duplex side entry bag filter

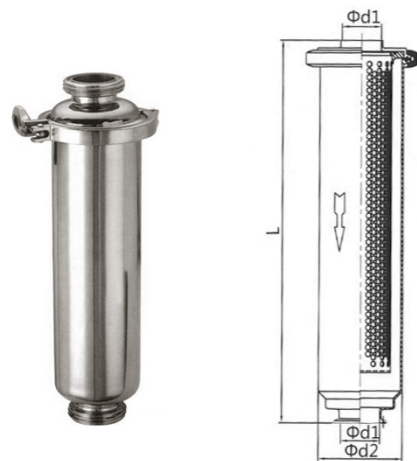


Duplex tube filter



Duplex basket type filter

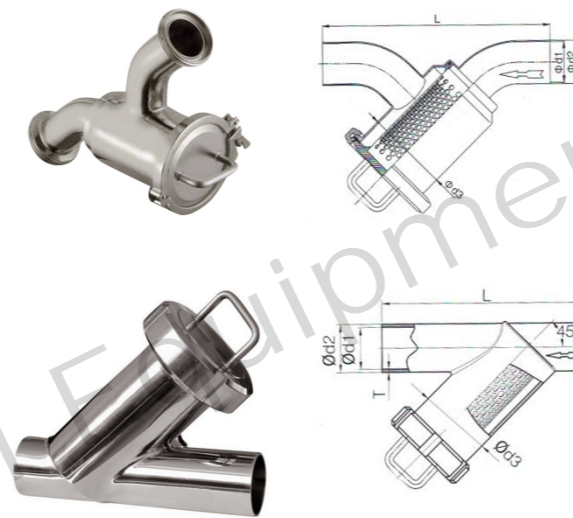
+ Sanitary Straight Strainer Filter



WELD/CLAMP DIN			
DN	d1	d2	L
25	26	76.2	386
32	32		
40	38		
50	50	101.6	472
65	66		
80	81	114.3	648
100	100	154	798
125	125	219.1	1032
150	150		

WELD/CLAMP OD			
DN	d1	d2	L
1"	22.1	76.2	377
1½"	34.8		
2"	47.5	101.6	462
2½"	60.2		
3"	72.9	114.3	637
4"	97.4	154	784
5"	123		
6"	146.8	219.1	1004

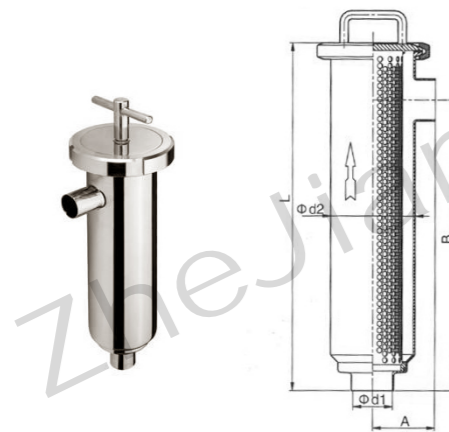
+ Stainless steel sanitary Y Type Strainer



WELD/CLAMP DIN				
DN	d1	d2	d3	L
25	26	29		235
32	32	35	76.2	242
40	38	41		260
50	50	53	101.6	279
65	66	70		319
80	81	85	114.3	374
100	100	104	154	400
125	125	129	219.1	667
150	150	154		720

WELD/CLAMP OD				
DN	d1	d2	d3	L
1"	22.1	25.4	76.2	214
1½"	34.8	38.1	101.6	243
2"	47.5	50.8		300
2½"	60.2	63.5	114.3	346
3"	72.9	76.2		378
4"	97.4	101.8	154	470

+ Stainless steel sanitary welded angle type filter



WELD/CLAMP DIN					
DN	d1	d2	A	B	L
25	26	90			
32	32	76.2	95	300	399
40	38		100		
50	50	101.6	110	370	486
65	66		120		
80	81	114.3	145	525	663
100	100	154	155	676	823
125	125	219.1	175	912	1089
150	150				

WELD/CLAMP DIN					
DN	d1	d2	A	B	L
1"	22.1	76.2	76	300	399
1½"	34.8		95		
2"	47.5	101.6	121	370	486
2½"	60.2		140		
3"	72.9	114.3	159	525	663
4"	97.4	154	203	676	823
6"	146.8	219.1	220	920	1097

	Y FILTER Kv									
	Wedge wire screen					Perforated plate screen				
	0.05	1	0.2	0.3	04	10X1	0.5	1	2	5
DN25			16					18		
DN32			22.3					27.4		
DN40			33.5					35.3		
DN50			53.3					55.8		
DN65	68.8	88.1	91.1	96.2	*			103.6		
DN80	75.6	113.5	120	124.7	*			135		
DN100	*	153.2	*	*	*			234		
1"			12.6					13.9		
1½"			29					29.5		
2"			50.1					53.8		
2½"	60	73.4	77.5	80.3	*			81.6		
3"	61.1	97.1	102.4	107.3	*			109.9		
4"	*	141.9	*	*	*			220.8		

* To be consulted

Tests performed at 20°C. Values are valid for fluids with viscosity and density similar to water.

Formula for pressure loss calculation: $\Delta p = \left(\frac{Q}{K_v}\right)^2$

Kv = Kv value from the above table

Q = flow rate [m³/h]

Δp = pressure [bar]